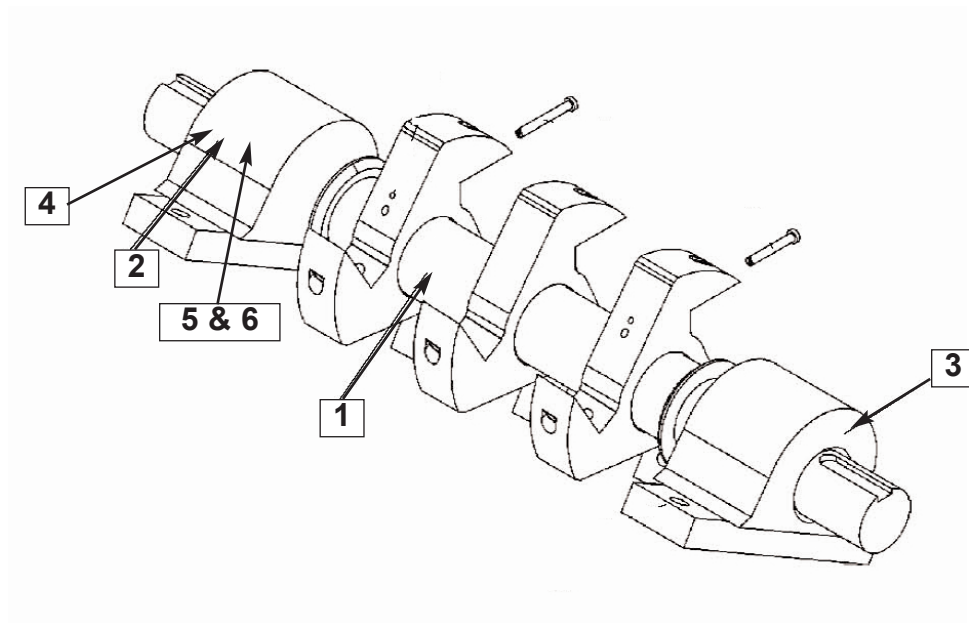


Parts Identification Guide
PIG001/0106

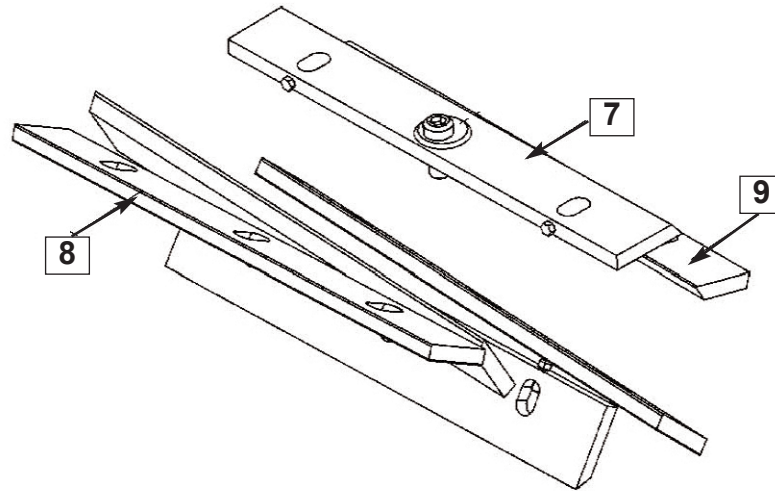
CB Series Granulators





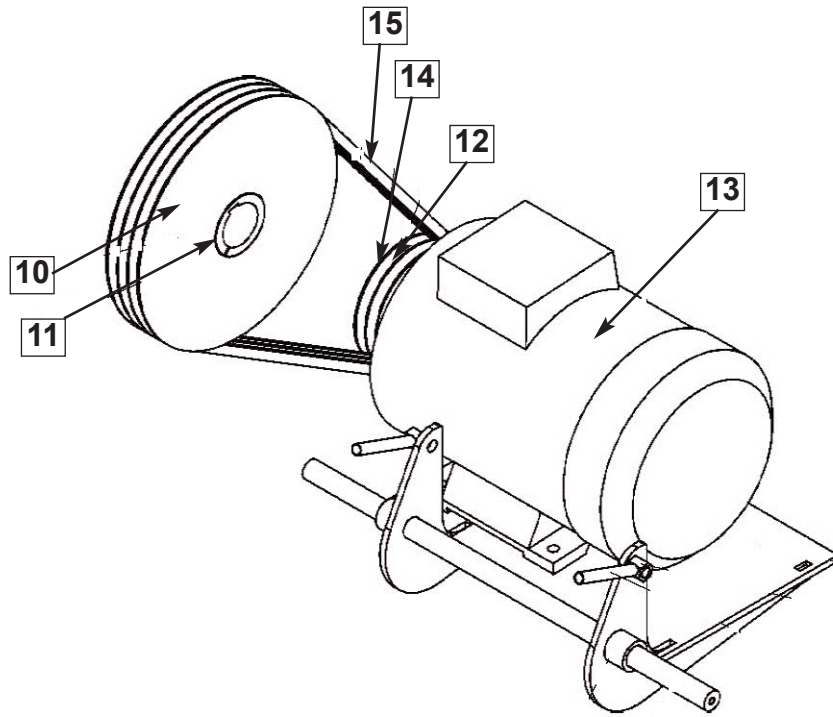
CB Series
Cutter

1. Rotor Shaft
2. Bearing Housing
3. Seal, Outside Bearing
4. Bearing
5. Guide Ring
6. Seal (Set of 4)



CB Series
Knives

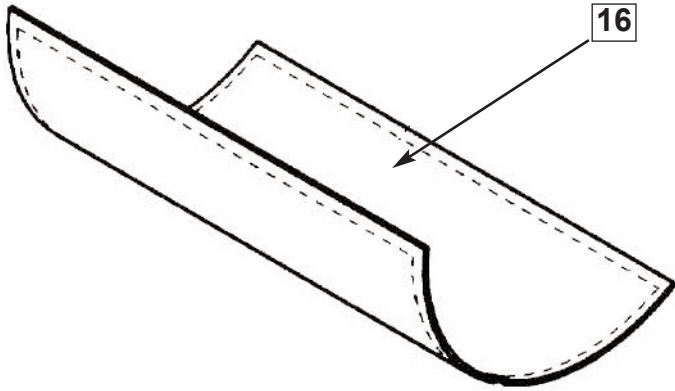
- 7. Rotor Knife
- 8. Fixed Knife
- 9. Third Fixed Knife



CB Series

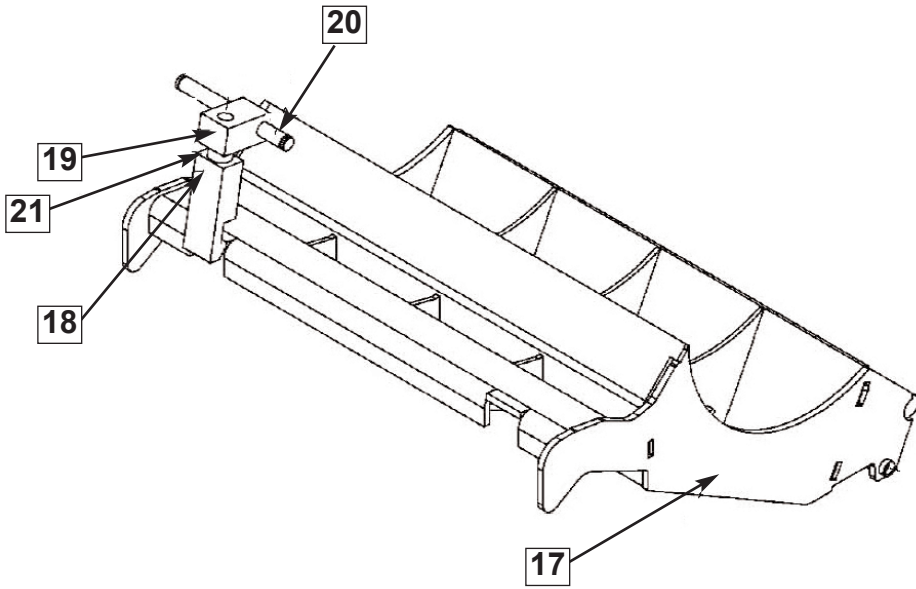
Pulley

- 10. Rotor Pulley
- 11. Flange Bushing
- 12. Motor Pulley
- 13. Motor
- 14. Taper Lock Bushing
- 15. Belt, Drive



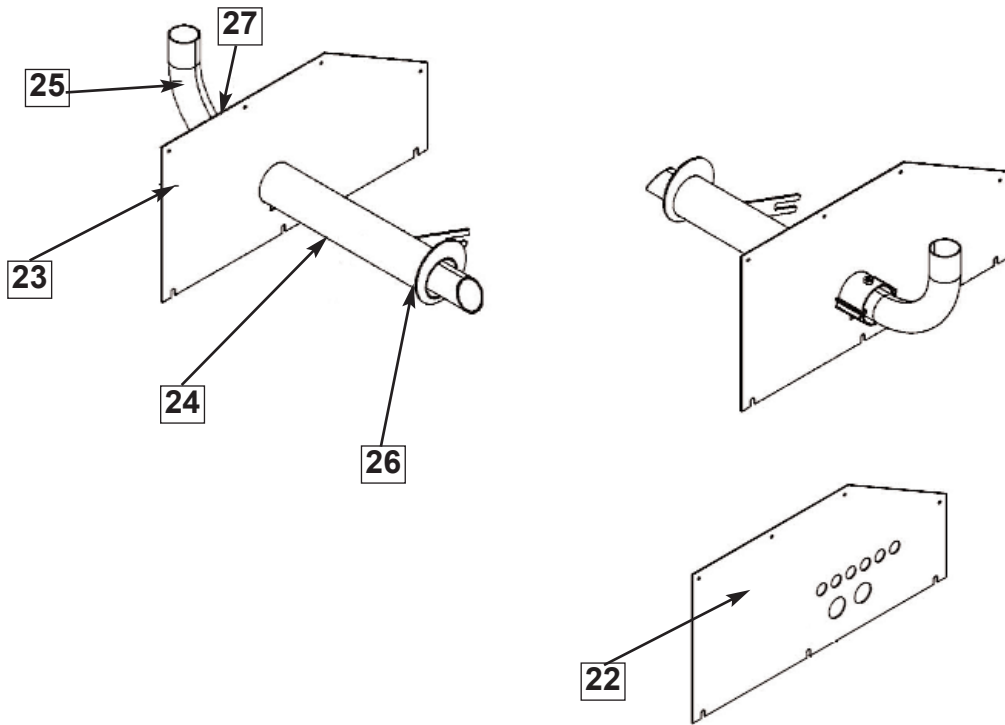
CB Series
Screen

16. Screen



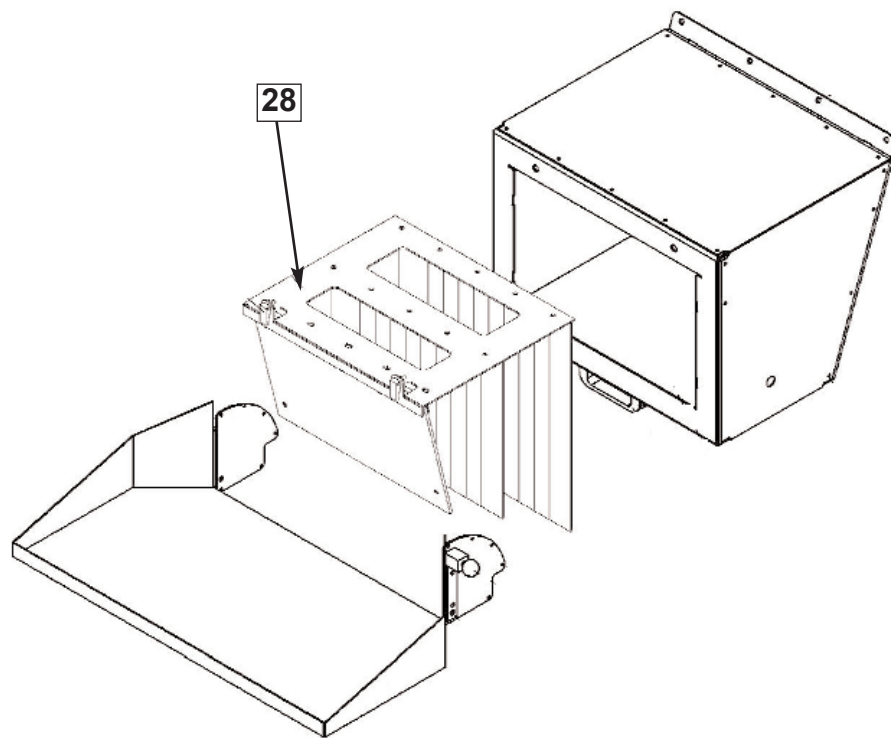
CB Series
Screen Cradle

- 17. Screen Cradle
- 18. Clamp
- 19. Locking Arm
- 20. Lock pin
- 21. Compression Spring



CB Series
Outfeed, Vacuum Suction

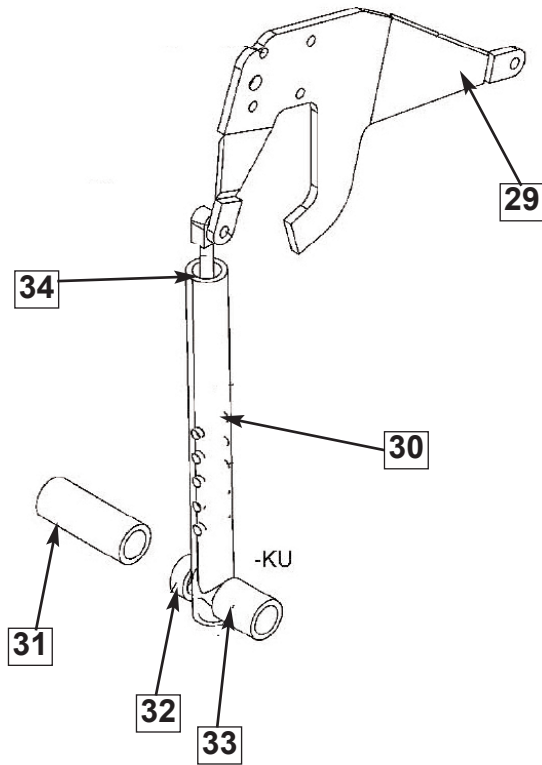
- 22. Cover Plate
- 23. Cover Plate
- 24. Flanged Pipe Outlet
- 25. Suction Pipe
- 26. Clamp
- 27. Star Knob



CB Series

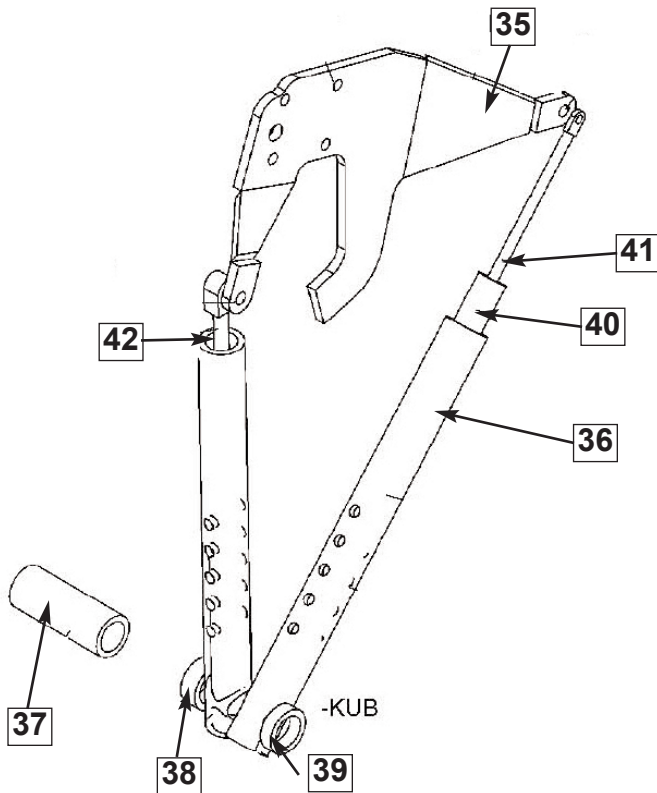
Inlet, flaps, hopper table - K, - KU

28. Flap Assembly



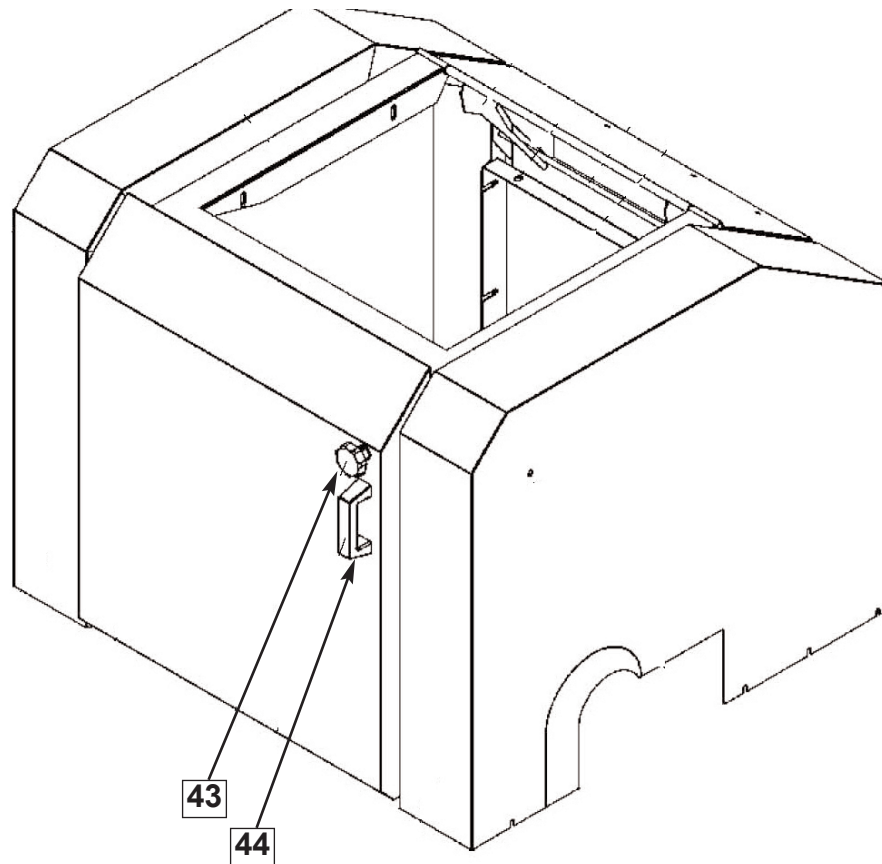
**CB Series
Hopper Device
KU and CB-1012-KUB**

- 29. Hopper Bracket
- 30. Hopper Stop Sleeve
- 31. Spacer Ring
- 32. Spacer Ring
- 33. Spacer Ring
- 34. Gas Spring



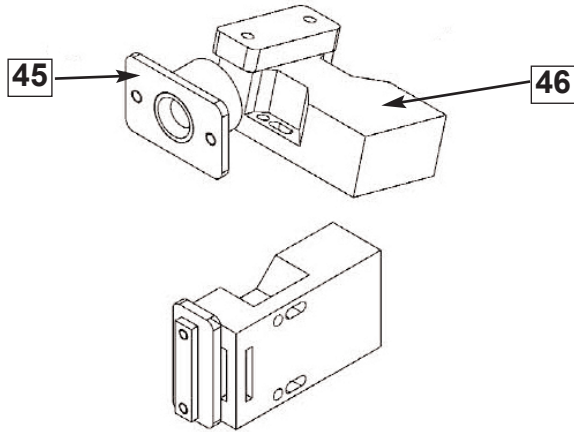
**CB Series
Hopper Device
KUB**

- 35. Hopper Bracket
- 36. Sleeve
- 37. Spacer Ring
- 38. Spacer Ring
- 39. Spacer Ring
- 40. Sleeve, Gas Spring
- 41. Gas Spring 900 N
- 42. Gas Spring 1900N



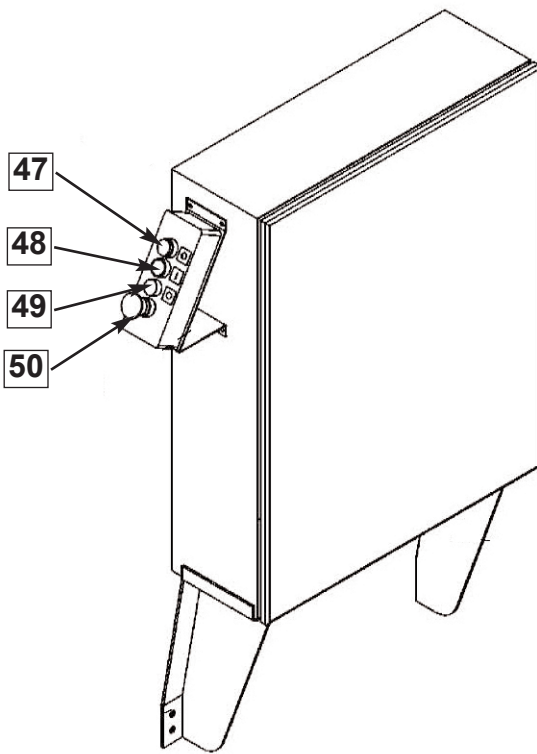
CB Series
Enclosure

- 43. Star Knob
- 44. Handle, Door



CB Series
Security

- 45. Bracket, Door Knob
- 46. Switch



CB Series
Electrical Component

- 47. Start Button
- 48. Stop Button
- 49. In Operation
- 50. Emergency Stop Button