

Rigid Tubing

Part Number	Tubing OD	Material
2312506508	1-1/4"	Aluminum
2312506504	1-1/4"	Stainless Steel
2315006508	1-1/2"	Aluminum
2315006504	1-1/2"	Stainless Steel
2317506508	1-3/4"	Aluminum
2317506504	1-3/4"	Stainless Steel
2320006508	2"	Aluminum
2320006504	2"	Stainless Steel
2322506508	2-1/4"	Aluminum
2322506504	2-1/4"	Stainless Steel
2325006508	2-1/2"	Aluminum
2325006504	2-1/2"	Stainless Steel
2330006508	3"	Aluminum
2330006504	3"	Stainless Steel
2340006508	4"	Aluminum
2340006504	4"	Stainless Steel



Rigid Tubing

Note: Standard 0.065" wall thickness. Contact the Conair Parts department for alternative wall thickness (common material offerings are aluminum and stainless steel) and for special applications requiring nickel, teflon coatings and spiral flow tubing, etc.

Flexible Material Conveying Hose

Part Number	ID	Hose Type
2400030104	1-1/4"	Standard Radial PVC
2400030109	1-1/4"	PVC w/Static Wire
2400030204	1-1/2"	Standard Radial PVC
2400030209	1-1/2"	PVC w/Static Wire
2400030201	1-1/2"	Heavy Wall Wire Reinforced
24001101	1-1/2" (1-9/16" actual)	Stainless Steel
24001801	1-1/2"	PVC/Urethane Lined
2400180101	1-1/2"	PVC/Urethane Lined w/Static Wire
24001808	1-1/2"	PP/Urethane Lined
2400180801	1-1/2"	PP/Urethane Lined w/Static Wire
2400030304	1-3/4"	Standard Radial PVC
2400030309	1-3/4"	PVC w/Static Wire
2400030301	1-3/4"	Heavy Wall Wire Reinforced
24001102	1-3/4" (1-13/16" actual)	Stainless Steel
2400030404	2"	Standard Radial PVC
2400030409	2"	PVC w/Static Wire
24001103	2" (2-1/16" actual)	Stainless Steel
24001803	2"	PVC/Urethane Lined
2400180301	2"	PVC/Urethane Lined w/Static Wire
24001810	2"	PP/Urethane Lined
2400181001	2"	PP/Urethane Lined w/Static Wire
2400030904	2-3/16"	Standard Radial PVC
2400030804	2-1/4"	Standard Radial PVC
2400030809	2-1/4"	PVC w/Static Wire



Stainless Steel Flexible Hose

Flexible Material Conveying Hose

Part Number	ID	Hose Type
2400030801	2-1/4"	Heavy Wall Wire Reinforced
24001104	2-1/4" (2-5/16" actual)	Stainless Steel
24001804	2-1/4"	PVC/Urethane Lined
2400030504	2-1/2"	Standard Radial PVC
2400030509	2-1/2"	PVC w/Static Wire
2400030501	2-1/2"	Heavy Wall Wire Reinforced
24001105	12-1/2" (2-9/16" actual)	Stainless Steel
24001805	2-1/2"	PVC/Urethane Lined
2400180501	2-1/2"	PVC/Urethane Lined w/Static Wire
24001812	2-1/2"	PP/Urethane Lined
2400181201	2-1/2"	PP/Urethane Lined w/Static Wire
2400030604	3"	Standard Radial PVC
2400030609	3"	PVC w/Static Wire
2400030601	3"	Heavy Wall Wire Reinforced
24001106	3" (3-1/16" actual)	Stainless Steel
24001806	3"	PVC/Urethane Lined
2400180601	3"	PVC/Urethane Lined w/Static Wire
24001813	3"	PP/Urethane Lined
2400181301	3"	PP/Urethane Lined w/Static Wire
2400030704	4"	Standard Radial PVC
2400030709	4"	PVC w/Static Wire
2400030701	4"	Heavy Wall Wire Reinforced
24001107	4" (4-1/16" actual)	Stainless Steel
24001807	4"	PVC/Urethane Lined
2400180701	4"	PVC/Urethane Lined w/Static Wire
24001814	4"	PP/Urethane Lined
2400181401	4"	PP/Urethane Lined w/Static Wire



Standard Radial PVC

Flex Hose Assemblies

Part Number	Material	ID	Length	Hose Type
10625401	Stainless Steel	1-1/2"	2 ft.	Male/Female Quick Disconnect
10625402	Stainless Steel	1-1/2"	4 ft.	Male/Female Quick Disconnect
10625403	Stainless Steel	1-1/2"	6 ft.	Male/Female Quick Disconnect
10625404	Stainless Steel	1-1/2"	8 ft.	Male/Female Quick Disconnect
10625405	Stainless Steel	1-1/2"	10 ft.	Male/Female Quick Disconnect
10625406	Stainless Steel	1-1/2"	20 ft.	Male/Female Quick Disconnect
10625501	Stainless Steel	1-3/4"	2 ft.	Male/Female Quick Disconnect
10625502	Stainless Steel	1-3/4"	4 ft.	Male/Female Quick Disconnect
10625503	Stainless Steel	1-3/4"	6 ft.	Male/Female Quick Disconnect
10625504	Stainless Steel	1-3/4"	8 ft.	Male/Female Quick Disconnect
10625505	Stainless Steel	1-3/4"	10 ft.	Male/Female Quick Disconnect
10625506	Stainless Steel	1-3/4"	20 ft.	Male/Female Quick Disconnect
10625601	Stainless Steel	2"	2 ft.	Male/Female Quick Disconnect
10625602	Stainless Steel	2"	4 ft.	Male/Female Quick Disconnect
10625603	Stainless Steel	2"	6 ft.	Male/Female Quick Disconnect
10625604	Stainless Steel	2"	8 ft.	Male/Female Quick Disconnect
10625605	Stainless Steel	2"	10 ft.	Male/Female Quick Disconnect
10625606	Stainless Steel	2"	20 ft.	Male/Female Quick Disconnect
10625701	Stainless Steel	2-1/4"	2 ft.	Male/Female Quick Disconnect
10625702	Stainless Steel	2-1/4"	4 ft.	Male/Female Quick Disconnect
10625703	Stainless Steel	2-1/4"	6 ft.	Male/Female Quick Disconnect
10625704	Stainless Steel	2-1/4"	8 ft.	Male/Female Quick Disconnect
10625705	Stainless Steel	2-1/4"	10 ft.	Male/Female Quick Disconnect
10625706	Stainless Steel	2-1/4"	20 ft.	Male/Female Quick Disconnect
10625801	Stainless Steel	2-1/2"	2 ft.	Male/Female Quick Disconnect
10625802	Stainless Steel	2-1/2"	4 ft.	Male/Female Quick Disconnect
10625803	Stainless Steel	2-1/2"	6 ft.	Male/Female Quick Disconnect
10625804	Stainless Steel	2-1/2"	8 ft.	Male/Female Quick Disconnect
10625805	Stainless Steel	2-1/2"	10 ft.	Male/Female Quick Disconnect

Flex Hose Assemblies (continued)

Part Number	Material	ID	Length	Hose Type
10625806	Stainless Steel	2-1/2"	20 ft.	Male/Female Quick Disconnect
10625901	Stainless Steel	3"	2 ft.	Male/Female Quick Disconnect
10625902	Stainless Steel	3"	4 ft.	Male/Female Quick Disconnect
10625903	Stainless Steel	3"	6 ft.	Male/Female Quick Disconnect
10625904	Stainless Steel	3"	8 ft.	Male/Female Quick Disconnect
10625905	Stainless Steel	3"	10 ft.	Male/Female Quick Disconnect
10625906	Stainless Steel	3"	20 ft.	Male/Female Quick Disconnect
10626001	Stainless Steel	4"	2 ft.	Male/Female Quick Disconnect
10626002	Stainless Steel	4"	4 ft.	Male/Female Quick Disconnect
10626003	Stainless Steel	4"	6 ft.	Male/Female Quick Disconnect
10626004	Stainless Steel	4"	8 ft.	Male/Female Quick Disconnect
10626005	Stainless Steel	4"	10 ft.	Male/Female Quick Disconnect
10626006	Stainless Steel	4"	20 ft.	Male/Female Quick Disconnect
10626007	Stainless Steel	4"	15 ft.	Male/Female Quick Disconnect
10641801	Stainless Steel	1-1/2"	2 ft.	SS Smooth Tubing Nipple
10641802	Stainless Steel	1-1/2"	4 ft.	SS Smooth Tubing Nipple
10641803	Stainless Steel	1-1/2"	6 ft.	SS Smooth Tubing Nipple
10641804	Stainless Steel	1-1/2"	8 ft.	SS Smooth Tubing Nipple
10641805	Stainless Steel	1-1/2"	10 ft.	SS Smooth Tubing Nipple
10641806	Stainless Steel	1-1/2"	15 ft.	SS Smooth Tubing Nipple
10641807	Stainless Steel	1-1/2"	20 ft.	SS Smooth Tubing Nipple
10641901	Stainless Steel	1-3/4"	2 ft.	SS Smooth Tubing Nipple
10641902	Stainless Steel	1-3/4"	4 ft.	SS Smooth Tubing Nipple
10641903	Stainless Steel	1-3/4"	6 ft.	SS Smooth Tubing Nipple
10641904	Stainless Steel	1-3/4"	8 ft.	SS Smooth Tubing Nipple
10641905	Stainless Steel	1-3/4"	10 ft.	SS Smooth Tubing Nipple
10641906	Stainless Steel	1-3/4"	15 ft.	SS Smooth Tubing Nipple
10641907	Stainless Steel	1-3/4"	20 ft.	SS Smooth Tubing Nipple

Flex Hose Assemblies (continued)

Part Number	Material	ID	Length	Hose Type
10642001	Stainless Steel	2"	2 ft.	SS Smooth Tubing Nipple
10642002	Stainless Steel	2"	4 ft.	SS Smooth Tubing Nipple
10642003	Stainless Steel	2"	6 ft.	SS Smooth Tubing Nipple
10642004	Stainless Steel	2"	8 ft.	SS Smooth Tubing Nipple
10642005	Stainless Steel	2"	10 ft.	SS Smooth Tubing Nipple
10642006	Stainless Steel	2"	15 ft.	SS Smooth Tubing Nipple
10642007	Stainless Steel	2"	20 ft.	SS Smooth Tubing Nipple
10642101	Stainless Steel	2-1/4"	2 ft.	SS Smooth Tubing Nipple
10642102	Stainless Steel	2-1/4"	4 ft.	SS Smooth Tubing Nipple
10642103	Stainless Steel	2-1/4"	6 ft.	SS Smooth Tubing Nipple
10642104	Stainless Steel	2-1/4"	8 ft.	SS Smooth Tubing Nipple
10642105	Stainless Steel	2-1/4"	10 ft.	SS Smooth Tubing Nipple
10642106	Stainless Steel	2-1/4"	15 ft.	SS Smooth Tubing Nipple
10642107	Stainless Steel	2-1/4"	20 ft.	SS Smooth Tubing Nipple
10642201	Stainless Steel	2-1/2"	2 ft.	SS Smooth Tubing Nipple
10642202	Stainless Steel	2-1/2"	4 ft.	SS Smooth Tubing Nipple
10642203	Stainless Steel	2-1/2"	6 ft.	SS Smooth Tubing Nipple
10642204	Stainless Steel	2-1/2"	8 ft.	SS Smooth Tubing Nipple
10642205	Stainless Steel	2-1/2"	10 ft.	SS Smooth Tubing Nipple
10642206	Stainless Steel	2-1/2"	15 ft.	SS Smooth Tubing Nipple
10642207	Stainless Steel	2-1/2"	20 ft.	SS Smooth Tubing Nipple
10642301	Stainless Steel	3"	2 ft.	SS Smooth Tubing Nipple
10642302	Stainless Steel	3"	4 ft.	SS Smooth Tubing Nipple
10642303	Stainless Steel	3"	6 ft.	SS Smooth Tubing Nipple
10642304	Stainless Steel	3"	8 ft.	SS Smooth Tubing Nipple
10642305	Stainless Steel	3"	10 ft.	SS Smooth Tubing Nipple
10642306	Stainless Steel	3"	15 ft.	SS Smooth Tubing Nipple
10642307	Stainless Steel	3"	20 ft.	SS Smooth Tubing Nipple
10642401	Stainless Steel	4"	2 ft.	SS Smooth Tubing Nipple

Flex Hose Assemblies (continued)

Part Number	Material	ID	Length	Hose Type
10642402	Stainless Steel	4"	4 ft.	SS Smooth Tubing Nipple
10642403	Stainless Steel	4"	6 ft.	SS Smooth Tubing Nipple
10642404	Stainless Steel	4"	8 ft.	SS Smooth Tubing Nipple
10642405	Stainless Steel	4"	10 ft.	SS Smooth Tubing Nipple
10642406	Stainless Steel	4"	15 ft.	SS Smooth Tubing Nipple
10642407	Stainless Steel	4"	20 ft.	SS Smooth Tubing Nipple
10627001	Heavy Wall Wire Reinforced	1-1/2"	2 ft.	Male/Female Quick Disconnect
10627002	Heavy Wall Wire Reinforced	1-1/2"	4 ft.	Male/Female Quick Disconnect
10627003	Heavy Wall Wire Reinforced	1-1/2"	6 ft.	Male/Female Quick Disconnect
10627004	Heavy Wall Wire Reinforced	1-1/2"	8 ft.	Male/Female Quick Disconnect
10627005	Heavy Wall Wire Reinforced	1-1/2"	10 ft.	Male/Female Quick Disconnect
10627006	Heavy Wall Wire Reinforced	1-1/2"	20 ft.	Male/Female Quick Disconnect
10627101	Heavy Wall Wire Reinforced	1-3/4"	2 ft.	Male/Female Quick Disconnect
10627102	Heavy Wall Wire Reinforced	1-3/4"	4 ft.	Male/Female Quick Disconnect
10627103	Heavy Wall Wire Reinforced	1-3/4"	6 ft.	Male/Female Quick Disconnect
10627104	Heavy Wall Wire Reinforced	1-3/4"	8 ft.	Male/Female Quick Disconnect
10627105	Heavy Wall Wire Reinforced	1-3/4"	10 ft.	Male/Female Quick Disconnect
10627106	Heavy Wall Wire Reinforced	1-3/4"	20 ft.	Male/Female Quick Disconnect
10627201	Heavy Wall Wire Reinforced	2"	2 ft.	Male/Female Quick Disconnect
10627202	Heavy Wall Wire Reinforced	2"	4 ft.	Male/Female Quick Disconnect
10627203	Heavy Wall Wire Reinforced	2"	6 ft.	Male/Female Quick Disconnect
10627204	Heavy Wall Wire Reinforced	2"	8 ft.	Male/Female Quick Disconnect
10627205	Heavy Wall Wire Reinforced	2"	10 ft.	Male/Female Quick Disconnect
10627206	Heavy Wall Wire Reinforced	2"	20 ft.	Male/Female Quick Disconnect
10627301	Heavy Wall Wire Reinforced	2-1/4"	2 ft.	Male/Female Quick Disconnect
10627302	Heavy Wall Wire Reinforced	2-1/4"	4 ft.	Male/Female Quick Disconnect
10627303	Heavy Wall Wire Reinforced	2-1/4"	6 ft.	Male/Female Quick Disconnect
10627304	Heavy Wall Wire Reinforced	2-1/4"	8 ft.	Male/Female Quick Disconnect
10627305	Heavy Wall Wire Reinforced	2-1/4"	10 ft.	Male/Female Quick Disconnect

Flex Hose Assemblies (continued)

Part Number	Material	ID	Length	Hose Type
10627306	Heavy Wall Wire Reinforced	2-1/4"	20 ft.	Male/Female Quick Disconnect
10627401	Heavy Wall Wire Reinforced	2-1/2"	2 ft.	Male/Female Quick Disconnect
10627402	Heavy Wall Wire Reinforced	2-1/2"	4 ft.	Male/Female Quick Disconnect
10627403	Heavy Wall Wire Reinforced	2-1/2"	6 ft.	Male/Female Quick Disconnect
10627404	Heavy Wall Wire Reinforced	2-1/2"	8 ft.	Male/Female Quick Disconnect
10627405	Heavy Wall Wire Reinforced	2-1/2"	10 ft.	Male/Female Quick Disconnect
10627406	Heavy Wall Wire Reinforced	2-1/2"	20 ft.	Male/Female Quick Disconnect
10627501	Heavy Wall Wire Reinforced	3"	2 ft.	Male/Female Quick Disconnect
10627502	Heavy Wall Wire Reinforced	3"	4 ft.	Male/Female Quick Disconnect
10627503	Heavy Wall Wire Reinforced	3"	6 ft.	Male/Female Quick Disconnect
10627504	Heavy Wall Wire Reinforced	3"	8 ft.	Male/Female Quick Disconnect
10627505	Heavy Wall Wire Reinforced	3"	10 ft.	Male/Female Quick Disconnect
10627506	Heavy Wall Wire Reinforced	3"	20 ft.	Male/Female Quick Disconnect
10627601	Heavy Wall Wire Reinforced	4"	2 ft.	Male/Female Quick Disconnect
10627602	Heavy Wall Wire Reinforced	4"	4 ft.	Male/Female Quick Disconnect
10627603	Heavy Wall Wire Reinforced	4"	6 ft.	Male/Female Quick Disconnect
10627604	Heavy Wall Wire Reinforced	4"	8 ft.	Male/Female Quick Disconnect
10627605	Heavy Wall Wire Reinforced	4"	10 ft.	Male/Female Quick Disconnect
10627606	Heavy Wall Wire Reinforced	4"	20 ft.	Male/Female Quick Disconnect

All assemblies include either tubing nipples or male/female quick couplings. See above to select diameter, hose type, length and choice of nipples/quick couplings.

Note: Assemblies with quick disconnect couplings will include one male and one female. Direction of material flow required when ordering stainless steel hose assembly with male/female quick disconnects.

Hose Adapter Assembly

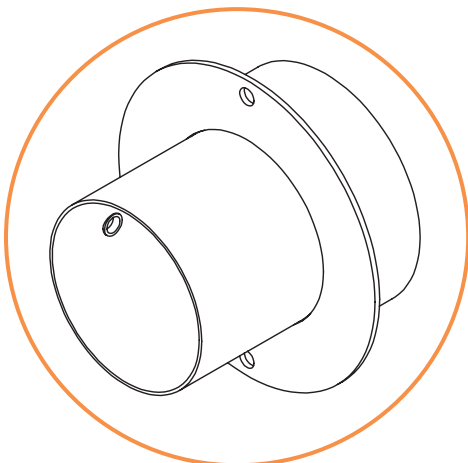
Part Number	Size	Style
18122801	5" to 3"	A
18122802	5" to 2-1/2"	A
18122803	3" to 2-1/2"	A
18122804	5" to 3"	B
18122805	5" to 2 1/2"	B
18122806	3" to 2-1/2"	B
18122807	8" to 5"	A
18122808	8" to 3"	A
18122809	6" to 5"	B
18122810	8" to 5"	B
18122811	12" to 5"	A
18122812	12" to 8"	A
18122813	5" to 4"	A
18122814	5" to 2-1/4"	A
18122816	3" to 1-3/4"	A
18122817	3" to 2"	A
18122818	7" to 4"	A
18122819	6" to 4"	A
18122820	12" to 8"	B



Style A



Style B



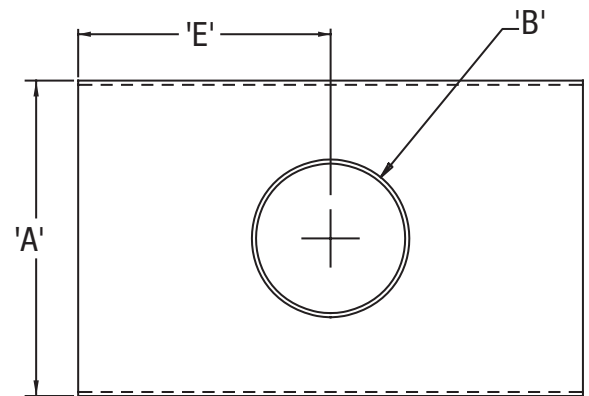
W150-400 Dryer Adapter Kit

W150-400 Dryer Adapter Kit

Part Number	Description
18470605	Adapter 3" to 4"
18470612	Adapter 5" to 4"
18470613	Adapter 5" to 3"
18470614	Adapter 2-1/2" to 2-1/2"
18470615	Adapter 2-1/2" to 3"
18470616	Adapter 2-1/2" to 3"
2190048682	5/16-18 x 3/4 Type F Third, Cutting Screw HH

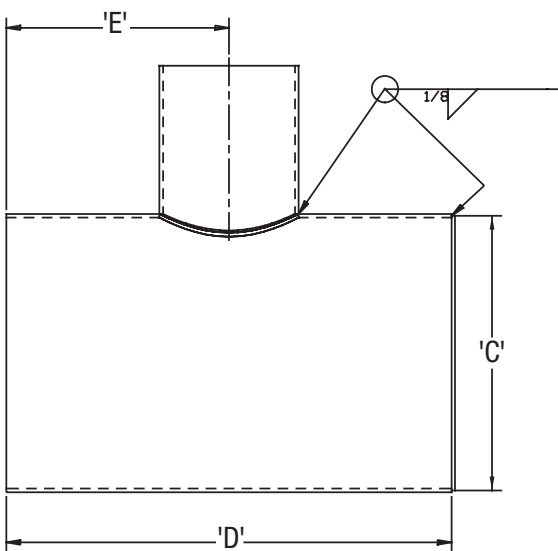
Tee/Open

Part Number	DIM 'A'	DIM 'B'	DIM 'C'	DIM 'D'	DIM 'E'
18456001	5"	2-1/2"	N/A	10"	5"
18456002	5"	3"	N/A	10"	5"
18456003	8"	2-1/2"	N/A	12"	5"
18456004	8"	3"	N/A	12"	5"
18456005	8"	5"	N/A	12"	6"
18456006	12"	2-1/2"	N/A	12"	5"
18456007	12"	3"	N/A	15"	5"
18456008	12"	5"	N/A	15"	6"
18456009	3"	1-3/4"	N/A	10"	5"
18456010	3"	2"	N/A	10"	5"
18456011	3"	2-1/2"	N/A	10"	5"
18456012	3"	3"	N/A	10"	5"
18456013	5"	1-3/4"	N/A	10"	5"
18456014	5"	2"	N/A	10"	5"
18456015	5"	5"	N/A	12"	6"
18456016	8"	1-3/4"	N/A	10"	5"
18456017	8"	2"	N/A	10"	5"
18456018	8"	8"	N/A	16"	8"
18456019	12"	1-3/4"	N/A	12"	5"
18456020	12"	2"	N/A	12"	5"
18456021	12"	8"	N/A	16"	8"
18456022	12"	12"	N/A	20"	10"



Tee/Open

Tee/Capped



Tee/Capped

Part Number	DIM 'A'	DIM 'B'	DIM 'C'	DIM 'D'	DIM 'E'
18456023	3"	2-1/2"	2-15/16"	10"	5"
18456024	5"	3"	4-15/16"	10"	5"
18456025	8"	5"	7-7/8"	12"	6"
18456026	12"	5"	11-7/8"	15"	6"
18456027	12"	8"	11-7/8"	16"	8"
18456028	12"	2-1/2"	11-7/8"	12"	5"
18456029	12"	1-3/4"	11-7/8"	12"	5"
18456030	12"	2"	11-7/8"	12"	5"
18456031	12"	3"	11-7/8"	15"	5"
18456032	12"	12"	11-7/8"	20"	10"
18456033	8"	1-3/4"	7-7/8"	10"	5"
18456034	8"	2"	7-7/8"	10"	5"
18456035	8"	2-1/2"	7-7/8"	10"	5"
18456036	8"	3"	7-7/8"	12"	5"
18456037	8"	8"	7-7/8"	16"	8"
18456038	5"	1-3/4"	4-15/16"	10"	5"
18456039	5"	2"	4-15/16"	10"	5"
18456040	5"	2-1/2"	4-15/16"	10"	5"
18456041	5"	5"	4-15/16"	12"	6"
18456042	3"	3"	4-15/16"	10"	5"
18456043	3"	1-3/4"	2-15/16"	10"	5"
18456044	3"	2"	2-15/16"	10"	5"

Vacuum Tees

Part Number	OD	Material
10604702	1-1/2"	Aluminum
10604701	1-1/2"	Stainless Steel
102378	1-3/4"	Aluminum
10237801	1-3/4"	Stainless Steel
10238502	2"	Aluminum
10238503	2"	Stainless Steel
10633702	2-1/4"	Aluminum
10633703	2-1/4"	Stainless Steel
10621901	2-1/2"	Aluminum
10621902	2-1/2"	Stainless Steel
10630103	3"	Aluminum
10630102	3"	Stainless Steel
10631303	4"	Aluminum
10631302	4"	Stainless Steel



Vacuum Tees

Aluminum Drop Line Tee

Part Number	OD
10267809	1-1/2"
10267810	1-3/4"
10267808	2"
10267804	2-1/4"
10267805	2-1/2"
10267806	3"
10267807	4"



Aluminum Drop Line Tee

Wear Tee (Pocket Conveying Elbow)

Part Number	OD	Material
10287001	1-1/2"	Aluminum
10287002	1-1/2"	Stainless Steel
F597902	1-3/4"	Stainless Steel
F392801	2-1/4"	Stainless Steel
10269601	2-1/2"	Aluminum
10269602	2-1/2"	Stainless Steel
10269701	3"	Aluminum
10269702	3"	Stainless Steel
10269801	4"	Aluminum
10269802	4"	Stainless Steel



Wear Tee

Vacuum Elbow

Part Number	OD	Material
10615502	1-1/2"	Aluminum
10615501	1-1/2"	Stainless Steel
10615602	1-3/4"	Aluminum
10615601	1-3/4"	Stainless Steel
10615702	2"	Aluminum
10615701	2"	Stainless Steel
10615802	2-1/4"	Aluminum
10615801	2-1/4"	Stainless Steel
10616302	2-1/2"	Aluminum
10616301	2-1/2"	Stainless Steel
10614402	3"	Aluminum
10614401	3"	Stainless Steel
10626702	4"	Aluminum
10626701	4"	Stainless Steel



Vacuum Elbow

Tubing Bends

Part Number	OD	Degree of Bend	Center-Line Radius	Material
10367101	1-1/4"	90°	7-1/4"	Aluminum
10367106	1-1/4"	90°	7-1/4"	Stainless Steel
10367102	1-1/2"	90°	7-1/4"	Aluminum
10367107	1-1/2"	90°	7-1/4"	Stainless Steel
10610616	1-1/2"	90°	36"	Aluminum
10610610	1-1/2"	90°	36"	Stainless Steel
10392107	1-1/2"	45°	36"	Aluminum
10392101	1-1/2"	45°	36"	Stainless Steel
10367103	1-3/4"	90°	8-1/4"	Aluminum
10367108	1-3/4"	90°	8-1/4"	Stainless Steel
10610617	1-3/4"	90°	36"	Aluminum
10610611	1-3/4"	90°	36"	Stainless Steel
10392108	1-3/4"	45°	36"	Aluminum
10392102	1-3/4"	45°	36"	Stainless Steel
10367104	2"	90°	8-1/4"	Aluminum
10367109	2"	90°	8-1/4"	Stainless Steel
10610618	2"	90°	36"	Aluminum
10610612	2"	90°	36"	Stainless Steel
10367105	2-1/4"	90°	9-1/2"	Aluminum
10367110	2-1/4"	90°	9-1/2"	Stainless Steel
10610619	2-1/4"	90°	36"	Aluminum
10610613	2-1/4"	90°	36"	Stainless Steel
10392109	2-1/4"	45°	36"	Aluminum
10392103	2-1/4"	45°	36"	Stainless Steel
1064060101	2-1/4"	30°	36"	Aluminum
1064060102	2-1/4"	30°	36"	Stainless Steel
10610620	2-1/2"	90°	36"	Aluminum
10610614	2-1/2"	90°	36"	Stainless Steel
10392110	2-1/2"	45°	36"	Aluminum
10392104	2-1/2"	45°	36"	Stainless Steel



90° Tubing Bend

To determine Center-Line Radius of 90-degree Bend:

- Measure total length of bend.
- Deduct total tangent at each end (tangent = tubing diameter x 2.5).
- Multiply net length x 4 divided by 6.28 = radius.

To determine center-line radius of 45-degree bend:

- Measure total length of bend.
- Deduct total tangent at each end (tangent = tubing diameter x 2).
- Multiply net length x 8 divided by 6.28 = radius.

To determine center-line radius of 30-degree bend:

- Measure total length of bend.
- Deduct total tangent at each end (tangent = tubing diameter x 2).
- Multiply net length x 12 divided by 6.28 = radius.

Tubing Bends (continued)

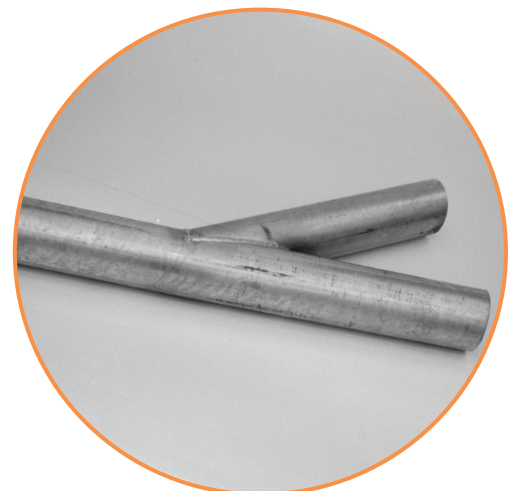
Part Number	OD	Degree of Bend	Center-line Radius	Material
1064060201	2-1/2"	30°	36"	Aluminum
1064060202	2-1/2"	30°	36"	Stainless Steel
10610621	3"	90°	36"	Aluminum
10610615	3"	90°	36"	Stainless Steel
10392111	3"	45°	36"	Aluminum
10392105	3"	45°	36"	Stainless Steel
1064060301	3"	30°	36"	Aluminum
1064060302	3"	30°	36"	Stainless Steel
10610622	4"	90°	36"	Aluminum
10610623	4"	90°	36"	Stainless Steel
10392112	4"	45°	36"	Aluminum
10392106	4"	45°	36"	Stainless Steel
1064060401	4"	30°	36"	Aluminum
1064060402	4"	30°	36"	Stainless Steel

Note: Standard 0.065" wall thickness.

Consult the Conair Parts Department for alternative wall thickness and any desired radius not shown.

Feed Tube "Y" Diverter 30 Degree

Part Number	OD	Material
10623410	1-1/2"	Stainless Steel
10623416	1-1/2"	Aluminum
10623411	1-3/4"	Stainless Steel
10623417	1-3/4"	Aluminum
10623412	2"	Stainless Steel
10623418	2"	Aluminum
10623413	2-1/4"	Stainless Steel
10623419	2-1/4"	Aluminum
10623414	2-1/2"	Stainless Steel
10623420	2-1/2"	Aluminum
10623415	3"	Stainless Steel
10623421	3"	Aluminum
10623423	4"	Stainless Steel
10623422	4"	Aluminum



Feed Tube "Y" Diverter 30 Degree

Common Line "Y" Diverter Assembly

Assembly Part Number	OD	Material	Diverter Y Only	Offset Only	Coupling Only	Drop Elbow Only
10126001	1-1/2"	Aluminum	10239601	1064480102	24900301	10238205
10126002	1-3/4"	Aluminum	10239602	1064480202	24900302	10238210
10126007	2"	Aluminum	10239607	1064480302	24900303	10238219
10126003	2-1/4"	Aluminum	10239603	1064480502	24900305	10238215
10126004	2-1/2"	Aluminum	10239604	1064480602	24900306	10238216
10126005	3"	Aluminum	10239605	1064480702	24900307	10238217
10126006	4"	Aluminum	10239606	1064480802	24900308	10238218
10126101	1-1/2"	Stainless Steel	10239701	1064480103	24900301	10238305
10126102	1-3/4"	Stainless Steel	10239702	1064480203	24900302	10238310
10126108	2"	Stainless Steel	10239708	1064480303	24900303	10238320
10126103	2-1/4"	Stainless Steel	10239703	1064480503	24900305	10238315
10126104	2-1/2"	Stainless Steel	10239704	1064480603	24900306	10238316
10126105	3"	Stainless Steel	10239705	1064480703	24900307	10238317
10126106	4"	Stainless Steel	10239706	1064480803	24900308	10238318

Note: 30-degree common line Y Assembly includes:

- 1 each: 30-degree Y
- 1 each: 30-degree offset
- 2 each: tubing couplings
- 1 each: drop elbow

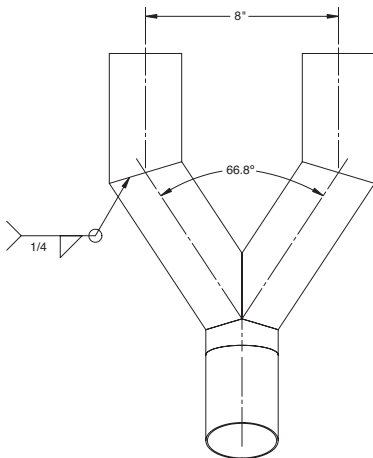
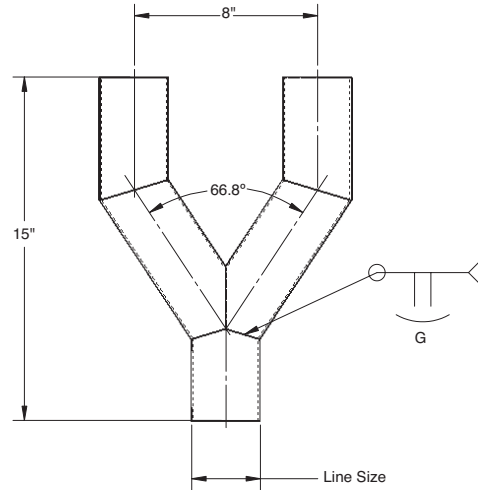


Common Line "Y"
Diverter Assembly

2-position Fantail Adapter Weldment

Part Number	Line Size
10211371201	1-1/2"
10211371202	1-3/4"
10211371203	2"
10211371204	2-1/4"
10211371205	2-1/2"
10211371206	3"
10211371207	4"

Note: Add-01 for Pickled/Passivated, eg: 1021137120101



Notes: Overall dimensions provided as reference will vary slightly according to tubing diameter. (Dimensions on drawing are for 3" tubing.)

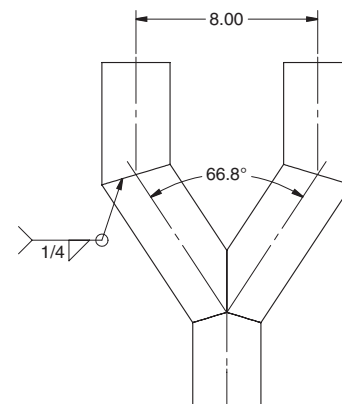
Material: Stainless Steel Finish: Standard Finish

Fantail Y-Adapter Weldment (Redirect Down)

Part Number	Line Size
10211371301	1.5"
10211371302	1.75"
10211371303	2"
10211371304	2.25"
10211371305	2.5"
10211371306	3"
10211371307	4"

Fantail Y-Adapter Weldment (Redirect Horizontal)

Part Number	Line Size
10211371401	1.5"
10211371402	1.75"
10211371403	2"
10211371404	2.25"
10211371405	2.5"
10211371406	3"
10211371407	4"



Notes: Overall dimensions provided as reference will vary slightly according to tubing diameter. (Dimensions on drawing are for 3" tubing.)

Material: Stainless Steel Finish: Standard Finish

90-Degree Diverter "Y"

Part Number	OD	Material
1022440202	1-1/2"	Aluminum
1022440203	1-1/2"	Stainless Steel
1022440302	1-3/4"	Aluminum
1022440303	1-3/4"	Stainless Steel
1022440402	2"	Aluminum
1022440403	2"	Stainless Steel
1022440502	2-1/4"	Aluminum
1022440503	2-1/4"	Stainless Steel
1022440602	2-1/2"	Aluminum
1022440603	2-1/2"	Stainless Steel
1022440702	3"	Aluminum
1022440703	3"	Stainless Steel
1022440802	4"	Aluminum
1022440803	4"	Stainless Steel



90-degree Diverter "Y"

Note: All 90-degree Y's are 36" radius

O-Ring Tubing Coupling

Part Number	Tubing OD
106003	1-1/2"
106017	1-3/4" (fits old 1-1/2" EMT systems)
106149	1-3/4"
106150	2"
106005	2-3/16" (fits old 2" EMT systems)
106160	2-1/4"
106162	2-1/2"
106133	3"
106264	4"

Note: EMT = Electrical Metallic Tubing



O-Ring Tubing Coupling

O-Ring Adapter Coupling

Part Number	Fits Tubing OD Sizes
10601601	1-1/2" x 1-3/4"
10601602	1-1/2" x 2"
10601603	1-3/4" (1-1/2" EMT) x 2"
10601604	1-3/4" (1-1/2" EMT) x 2-3/16" (2" EMT)
10601605	1-3/4" (1-1/2" EMT) x 2-1/4"
10601606	1-3/4" x 2"
10601607	1-3/4" x 2-3/16" (2" EMT)
10601608	1-3/4" x 2-1/4"
10601609	2" x 2-3/16" (2" EMT)
10601610	2" x 2-1/4"
10601611	2" x 2-1/2"
10601612	2-3/16" (2" EMT) x 2-1/4"
10601613	2-3/16" (2" EMT) x 2-1/2"
10601614	2-1/4" x 2-1/2"
10601615	2-1/2" x 3"
10601616	1-3/4" (1-1/2" EMT) x 1-3/4"
10601617	3" x 4"
10601618	1-1/2" x 2-1/4"
10601619	1-3/4" x 2-1/2"
10601620	2-3/16" (2" EMT) x 3"
10601621	2-1/4" x 3"
10601622	1-3/4" x 3"
10601623	1-1/2" x 2-3/16" (2" EMT)
10601625	2-1/2" x 4"
10601626	2" x 3"
10601627	1-1/2" x 1-3/4" (1-1/2" EMT)
10601628	2-1/4" x 4"
10601630	1-1/2" x 2-1/2"
10601632	2-3/16" (2" EMT) x 4"
10601633	1-3/4" (1-1/2" EMT) x 2-1/2"
10601634	1-3/4" (1-1/2" EMT) x 3"
10601635	2-1/2" x 4"
10601636	2-1/2" x 3"
10601637	1-3/4" (1-1/2" EMT) x 4"
10601639	1-3/4" x 4"
10601644	1-1/4" x 1-1/4"
10601645	1-1/4" x 1-1/2"
10601648	1-1/4" x 1-3/4"

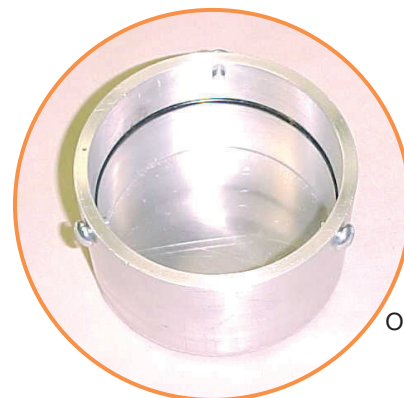


O-Ring Adapter Coupling

Note: Used only to join two unlike sizes of rigid tubing.

O-Ring Tubing End Cap

Part Number	Fits Tubing OD Sizes
106010	1-1/2"
106321	1-3/4"
102167	2"
106324	2-1/4"
106226	2-1/2"
106240	3"
106304	4"



O-Ring Tubing End Cap

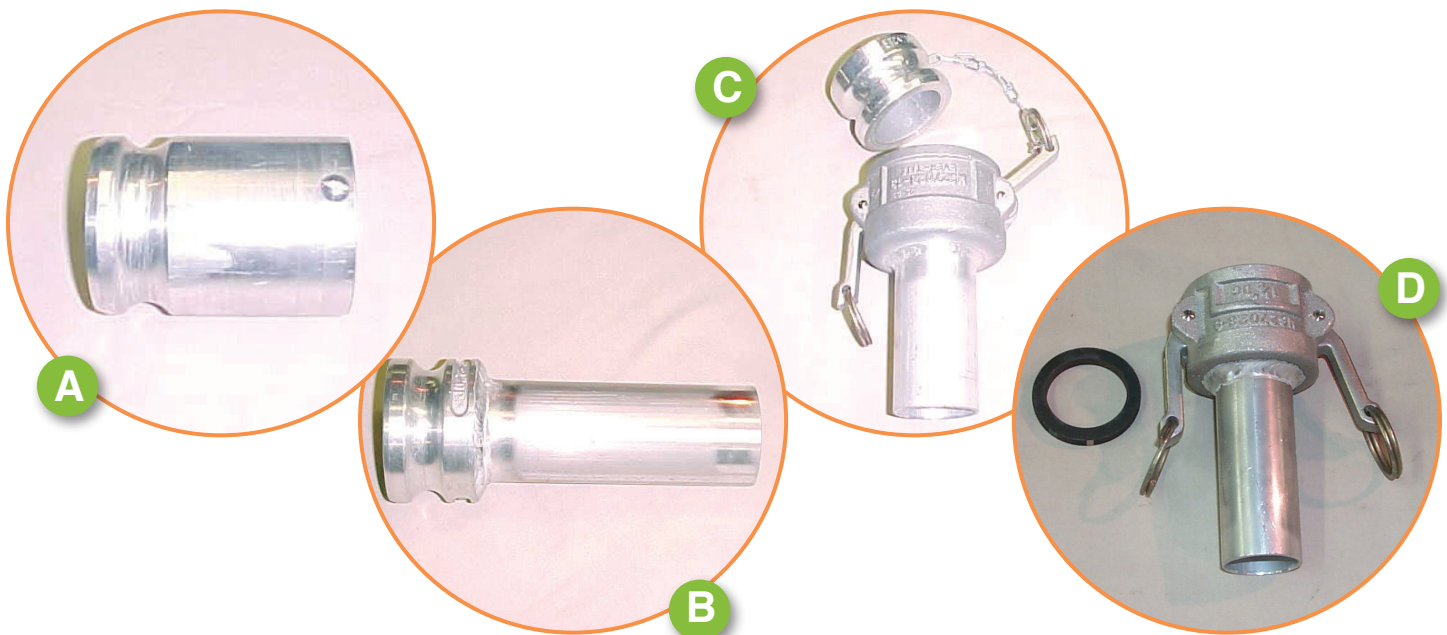
Note: EMT = Electrical Metallic Tubing

Quick Disconnect Couplings

Part Number	Fits Hose/ Tubing Size	Male/Female - Figure A, B, C, D	Size Stamped into Casting	Actual Bulk- Head ID/OD	Include Cap/Plug (No, Yes)	Mating Plug Only	Mating Cap Only
142023	1.5" OD Rigid	M - A	1.5"	2.10" OD	No		29300801
14207001	1.5" ID Hose	M - B	1.5"	2.10" OD	No		29300801
142005	1.5" ID Hose	F - C	1.5"	2.11" ID	Yes	29300701	
14200501	1.5" ID Hose	F - D	1.5"	2.11" ID	No	29300701	
142024	1.5" EMT Rigid	M - A	2"	2.49" OD	No		29300802
14207002	1.75" ID Hose	M - B	2"	2.49" OD	No		29300802
142006	1.75" ID Hose	F - C	2"	2.50" ID	Yes	29300702	
14200601	1.75" ID Hose	F - D	2"	2.50" ID	No	29300702	
142025	1.75" OD Rigid	M - A	2"	2.49" OD	No		29300802
142026	2" OD Rigid	M - A	2.5"	2.99" OD	No		29300803
14207003	2" ID Hose	M - B	2.5"	2.99" OD	No		29300803
142007	2" ID Hose	F - C	2.5"	3.00" ID	Yes	29300703	
14200701	2" ID Hose	F - D	2.5"	3.00" ID	No	29300703	
142027	2" EMT Rigid	M - A	2.5"	2.99" OD	No		29300803
142028	2.25" OD Rigid	M - A	2.5"	2.99" OD	No		29300803
14207004	2.25" ID Hose	M - B	2.5"	2.99" OD	No		29300803
142008	2.25" ID Hose	F - C	2.5"	3.00" ID	Yes	29300703	
14200801	2.25" ID Hose	F - D	2.5"	3.00" ID	No	29300703	

Quick Disconnect Couplings (continued)

Part Number	Fits Hose/ Tubing Size	Male/Female - Figure A, B, C, D	Size Stamped into Casting	Actual Bulk- Head ID/OD	Include Cap/Plug (No, Yes)	Mating Plug Only	Mating Cap Only
142029	2.5" OD Rigid	M - A	2.5"	2.99" OD	No		29300803
14207005	2.5" ID Hose	M - B	2.5"	2.99" OD	No		29300803
142010	2.5" ID Hose	F - C	2.5"	3.00" ID	Yes	29300703	
14201001	2.5" ID Hose	F - D	2.5"	3.00" ID	No	29300703	
142030	3" OD Rigid	M - A	3"	3.60" OD	No		29300804
14207006	3" ID Hose	M - B	3"	3.60" OD	No		29300804
142011	3" ID Hose	F - C	3"	3.62" ID	Yes	29300704	
14201101	3" ID Hose	F - D	3"	3.62" ID	No	29300704	
142031	4" OD Rigid	M - A	4"	4.70" OD	No		29300805
14207007	4" ID Hose	M - B	4"	4.70" OD	No		29300805
142012	4" ID Hose	F - C	4"	4.72" ID	Yes	29300705	
14201201	4" ID Hose	F - D	4"	4.72" ID	No	29300705	



Hammertek Elbows and Couplings

Part Number	Hammertak Elbow Part Number	Description
26721901	DHTW902A	2" Ductile Hard (240-300 BHN), 90°, 120 Wall, Tube, Socket Weld End
26721902	DHTW902B	2-1/4" Ductile Hard (240-300 BHN), 90°, 120 Wall, Tube, Socket Weld End
26721903	DHTW902C	2-1/2" Ductile Hard (240-300 BHN), 90°, 120 Wall, Tube, Socket Weld End
26721904	DHTW903A	3" Ductile Hard (240-300 BHN), 90°, 120 Wall, Tube, Socket Weld End
26721905	DHTW904A	4" Ductile Hard (240-300 BHN), 90°, 120 Wall, Tube, Socket Weld End
26721910	ALTW902A	2" Aluminum Alloy (90-100 BHN), 90°, 120 Wall, Tube, Socket Weld End
26721912	ALTW902C	2-1/2" Aluminum Alloy (90-100 BHN), 90°, 120 Wall, Tube, Socket Weld End
26721913	ALTW903A	3" Aluminum Alloy (90-100 BHN), 90°, 120 Wall, Tube, Socket Weld End
26721914	ALTW904A	4" Aluminum Alloy (90-100 BHN), 90°, 120 Wall, Tube, Socket Weld End

Notes: Add "01" to the above Conair part number to paint the outside Conair standard color, for example: 2672190101.

Part Number	Hammertek Coupling Part Number	Description
26722001	A-TCOUP2	2" Socket Weld Compression Coupling
26722002	A-TCOUP2 1/4	2-1/4" Socket Weld Compression Coupling
26722003	A-TCOUP2 1/2	2-1/2" Socket Weld Compression Coupling
26722004	A-TCOUP3	3" Socket Weld Compression Coupling
26722005	A-TCOUP4	4" Socket Weld Compression Coupling

Note: It is necessary to purchase two couplings per one elbow.



Hammertek Elbows and Couplings

Bolted Tubing Coupling - Black Gasket

Part Number	ID	Length	Bolts	Gasket Part Number
24900301	1-1/2"	6"	3	24901801
24900302	1-3/4"	6"	3	24901802
24900303	2"	6"	3	24901803
24900304	2-3/16"	6"	3	24901804
24900305	2-1/4"	6"	3	24901805
24900306	2-1/2"	6"	3	24901806
24900307	3"	6"	3	24901807
24900308	4"	8"	4	24901808
24900309	4"	6"	3	24901809
24900310	1-1/2"	4"	2	24901810
24900311	5"	8"	4	24901811
24900312	6"	8"	4	24901812
24900313	8-5/8"	8"	3	24901813
24900314	6-5/8"	6"	3	24901814
24900315	1-3/4"	4"	2	24901815
24900316	2-3/16"	4"	2	24901816
24900317	2"	4"	2	24901817
24900318	2-1/4"	4"	2	24901818
24900319	5-9/16"	6"	3	24901819
24900320	12-3/4"	10"	4	24901820
24900321	4-1/2"	8"	4	24901821
24900322	2-1/4"	4"	2	24901822
24900323	3-1/2"	8"	4	24901823
24900324	6-5/8"	4"	2	24901824
24900325	7"	8"	4	24901825
24900326	5-1/2"	8"	4	24901826
24900327	8"	10"	4	24901827
24900328	5-9/16"	8"	4	24901831
24900329	6-5/8"	8"	4	24901832
24900330	2-7/8"	8"	4	24901833
24900331	10"	10"	4	24901828
24900332	12"	10"	4	24901829
24900333	2-3/8"	6"	3	24901830
24900334	8"	6"	2	24901841
24900335	1-1/4"	4"	2	24901843



Bolted Tubing Coupling -
Black Gasket

Note: All couplings include gasket and stainless steel protector.

Bolted Tubing Coupling - Red Silicone Gasket

Part Number	ID	Length	Bolts	Gasket Part Number
24902501	1-1/2"	6"	3	24902601
24902502	1-3/4"	6"	3	24902602
24902503	2"	6"	3	24902603
24902504	2-1/4"	6"	3	24902604
24902505	2-1/2"	6"	3	24902605
24902506	3"	6"	3	24902606
24902507	4"	6"	3	24902607
24902508	5"	8"	4	24902608
24902509	6"	8"	4	24902609
24902510	8"	10"	4	24902610
24902511	10"	10"	4	24902611
24902512	12"	10"	4	24902612
24902513	2-3/8"	6"	3	24902613
24902514	1-3/4"	4"	2	24902614
24902515	3-1/2"	6"	3	24902615



Bolted Tubing Coupling -
Red Silicone Gasket

Note: All couplings include red, high temperature gasket and stainless steel protector.

Bolted Tubing Coupling White Neoprene Gasket - Food Grade

Part Number	ID	Length	Bolts	Gasket Part Number
24902801	1-1/2"	6"	3	24902901
24902802	1-3/4"	6"	3	24902902
24902803	2"	6"	3	24902903
24902804	2-3/16"	6"	3	24902904
24902805	2-1/4"	6"	3	24902905
24902806	2-3/8"	6"	3	24902906
24902807	2-1/2"	6"	3	24902907
24902808	2-7/8"	6"	3	24902908
24902809	3"	6"	3	24902909
24902810	3-1/2"	6"	3	24902910
24902811	4"	6"	3	24902911
24902812	4-1/2"	6"	3	24902912
24902813	5"	6"	3	24902913
24902814	5-9/16"	6"	3	24902914
24902815	6"	6"	3	24902915
24902816	6-5/8"	6"	3	24902916
24902817	8"	8"	3	24902917
24902818	8-5/8"	8"	3	24902918
24902819	2"	4"	2	24902919
24902820	4-1/4"	8"	4	24902920



Bolted Tubing Coupling -
White Neoprene Gasket

Note: All couplings include white neoprene, food grade gasket and stainless steel protector.

Clamps

Part Number	Vendor Part Number	Clamp Diameter		Width
		Min.	Max.	
24900101	6806	3/8"	25/32"	9/16"
24900102	6808	3/8"	29/32"	9/16"
24900103	6810	1/2"	1-1/16"	9/16"
24900104	6812	1/2"	1-1/4"	9/16"
24900105	6816	9/16"	1-1/2"	9/16"
24900106	6820	13/16"	1-3/4"	9/16"
24900107	6824	1-1/16"	2"	9/16"
24900108	6828	1-5/16"	2-1/4"	9/16"
24900109	6832	1-9/16"	2-1/2"	9/16"
24900110	6836	7/8"	2-3/4"	9/16"
24900111	6840	1-1/8"	3-1/4"	9/16"
24900112	6844	1-3/8"	3-1/4"	9/16"
24900113	6848	1-9/16"	3-1/2"	9/16"
24900114	6852	1-7/8"	3-3/4"	9/16"
24900115	6856	2-1/16"	4"	9/16"
24900116	6864	2-9/16"	4-1/2"	9/16"
24900117	6872	3-1/16"	5"	9/16"
24900118	6880	3-9/16"	5-1/2"	9/16"
24900119	6888	4-1/16"	6"	9/16"
24900120	6896	4-9/16"	6-1/2"	9/16"
24900121	68104	5-1/16"	7"	9/16"
24900122	63116	5"	7-3/4"	9/16"
24900123	56128	2-1/8"	8-5/8"	9/16"
24900124	HS-132	7-7/8"	8-3/4"	9/16"
24900125	HS-292	17-7/8"	18-3/4"	9/16"
24900126	HS-188	11-3/8"	12-1/4"	9/16"
24900127	HS-316	19-3/8"	20-1/4"	9/16"
24900128	HS-168	10-1/8"	11"	9/16"
24900129	HS-256	15-5/8"	16-1/2"	9/16"
24900130	HS-152	9-1/8"	10"	9/16"
24900131	M55	1/4"	5/8"	5/16"
24900132	MS-160	9-5/8"	10-1/2"	5/16"
24900133	62P28	1/2"	15/16"	5/16"
24900134	5203	5/16"	7/8"	5/16"
24900135	62P56	3"	4"	5/16"



24900101

Beam Clamp

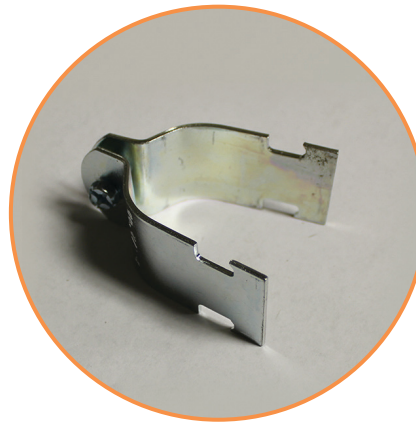
Part Number	Length	Width
24901401	2"	2"
24901402	2"	2"



24901402

Channel Fittings

Part Number	Size
24900401	1-1/4" EMT
24900402	1-1/2" EMT
24900403	1-3/4" OD
24900404	2" OD
24900405	2-1/4" OD
24900406	2-1/2" OD
24900407	3" OD
24900408	4" OD
24900409	2" EMT
24900410	6" OD
24900411	6-5/8" OD
24900412	4-1/2" OD
24900413	3" Pipe
24900414	5" Pipe
24900415	5" OD
24900416	7" OD
24900417	8" OD
24900418	3/4" Pipe
24900419	3/8" Pipe
24900420	1" EMT
24900421	3/4" EMT
24900422	1/2" EMT
24900423	1-1/2" Pipe
24900424	2-1/2" Pipe
24900425	8" Pipe
24900426	10" OD
24900427	12" OD
24900428	2" Pipe
24900429	1-1/4" Pipe



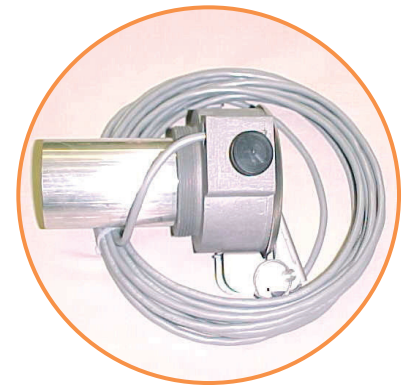
24900401

Note: EMT = Electrical Metallic Tubing

Quick Disconnect Couplings with Proofing Switch Capabilities

Part Number	Male/Female	Tubing OD	Male Proofing Switch	Female Proofing Switch
75101101	Male	1-1/2"	75101107PH	
75101102	Male	1-3/4"	75101107PH	
75101103	Male	2"	75101107PH	
75101104	Male	2-1/4"	75101107PH	
75101105	Male	2-1/2"	75101107PH	
75101001	Female	1-1/2"		75101007PH
75101002	Female	1-3/4"		75101007PH
75101003	Female	2"		75101007PH
75101004	Female	2-1/4"		75101007PH
75101005	Female	2-1/2"		75101007PH

Note: Proofing switches ordered separately.



Quick Disconnect Couplings with Proofing Switch Capabilities

Distribution Box Feed Tube Assemblies

For use with standard Conair 16.25" Square Modular Distribution Box



Distribution Box Feed Tube Assemblies

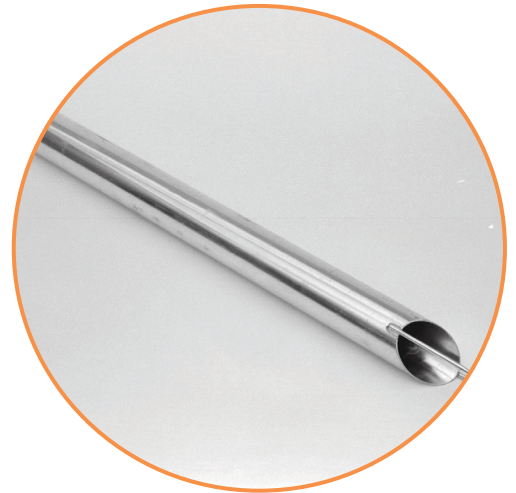
Note: Each assembly includes:

Feed tube, inner adjustment tube, air inlet screen filter, gaskets and mounting hardware.

Part Number	Feed Tube OD	Material	Adjustment Tube OD	Replacement Filter Screen Only
10132901	1-1/2"	Aluminum	1-1/4"	10298701
10162201	1-1/2"	Stainless Steel	1-1/4"	10298701
10132902	1-3/4"	Aluminum	1-1/2"	10298701
10162202	1-3/4"	Stainless Steel	1-1/2"	10298701
10132903	2"	Aluminum	1-3/4"	10298701
10162203	2"	Stainless Steel	1-3/4"	10298701
10132904	2-1/4"	Aluminum	2"	10298701
10162204	2-1/4"	Stainless Steel	2"	10298701
10132905	2-1/2"	Aluminum	2-1/4"	10298701
10162205	2-1/2"	Stainless Steel	2-1/4"	10298701
10133001	3"	Aluminum	2-3/4"	10298702
10162206	3"	Stainless Steel	2-3/4"	10298702
10133002	4"	Aluminum	3-1/2"	10298702
10162207	4"	Stainless Steel	3-1/2"	10298702

Vertical Feed Tubes

Part Number	OD	Material
10247701	1-1/2"	Carbon Steel
10247707	1-1/2"	Stainless Steel
10247702	1-3/4"	Carbon Steel
10247708	1-3/4"	Stainless Steel
10247703	2-3/16"	Carbon Steel
10247714	2"	Carbon Steel
10247713	2"	Stainless Steel
10247715	2-1/4"	Carbon Steel
10247709	2-1/4"	Stainless Steel
10247704	2-1/2"	Carbon Steel
10247710	2-1/2"	Stainless Steel
10247705	3"	Carbon Steel
10247711	3"	Stainless Steel
10247706	4"	Carbon Steel
10247712	4"	Stainless Steel



Vertical Feed Tubes

Horizontal Feed Tubes

Part Number	OD	Material
106194	1-1/2"	Carbon Steel
10619401	1-1/2"	Stainless Steel
10619402	1-1/2"	Aluminum
106195	1-3/4"	Carbon Steel
10619501	1-3/4"	Stainless Steel
10619502	1-3/4"	Aluminum
106196	2-3/16"	Carbon Steel
106197	2"	Carbon Steel
10619701	2"	Stainless Steel
10619702	2"	Aluminum
106198	2-1/4"	Carbon Steel
10619801	2-1/4"	Stainless Steel



Horizontal Feed Tubes