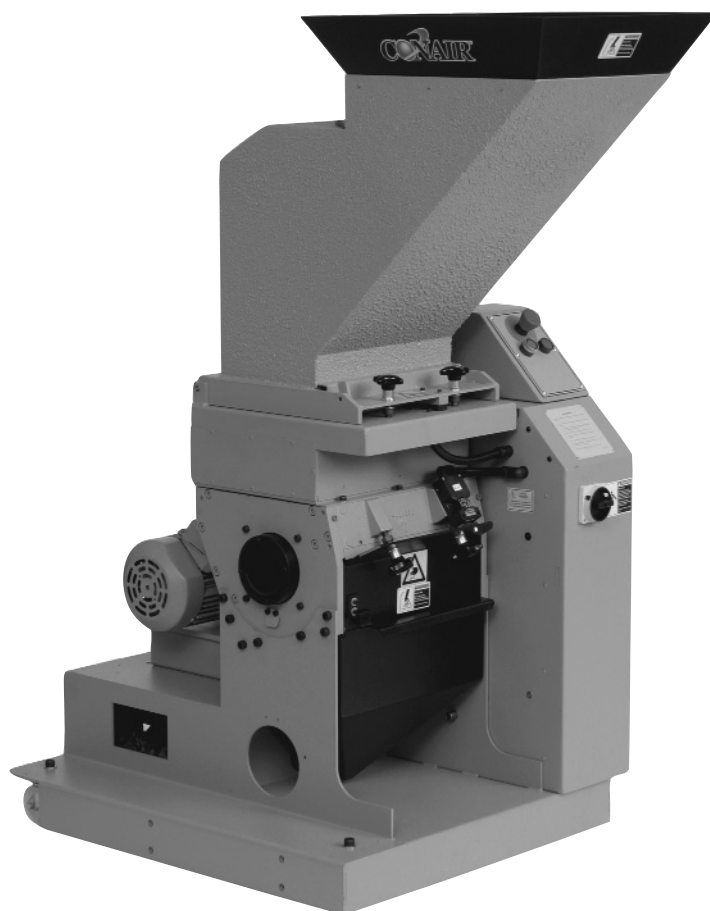
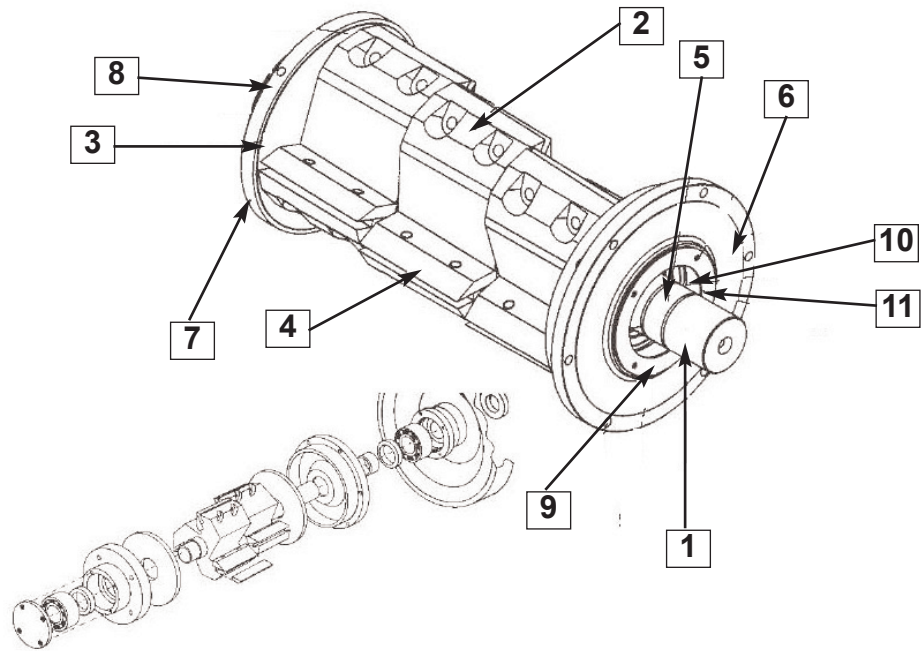


Parts Identification Guide
PIG005/0106

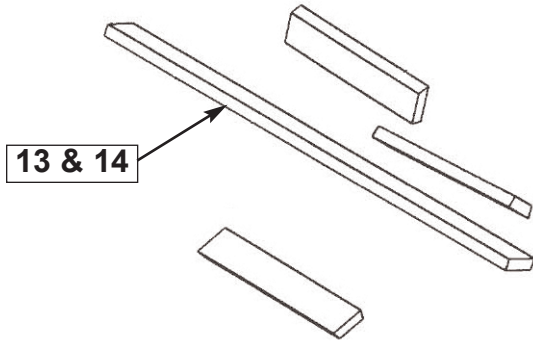
CLS Series Granulators





CLS Series
Staggered Rotor

- 1. Rotor Shaft
- 2. Segment
- 3. End Disc
- 4. Support Rule
- 5. Bearing Sleeve
- 6. Bearing Housing Right
- 7. Bearing Housing Left
- 8. Bearing Cover Left
- 9. Bearing Cover Right
- 10. Bearing, Rotor
- 11. Seal Ring

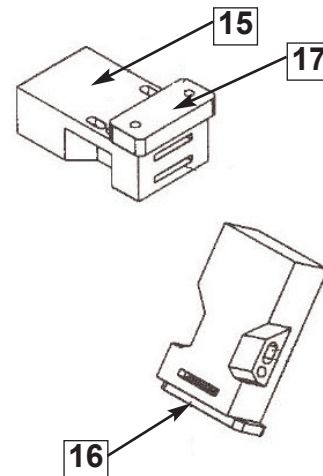


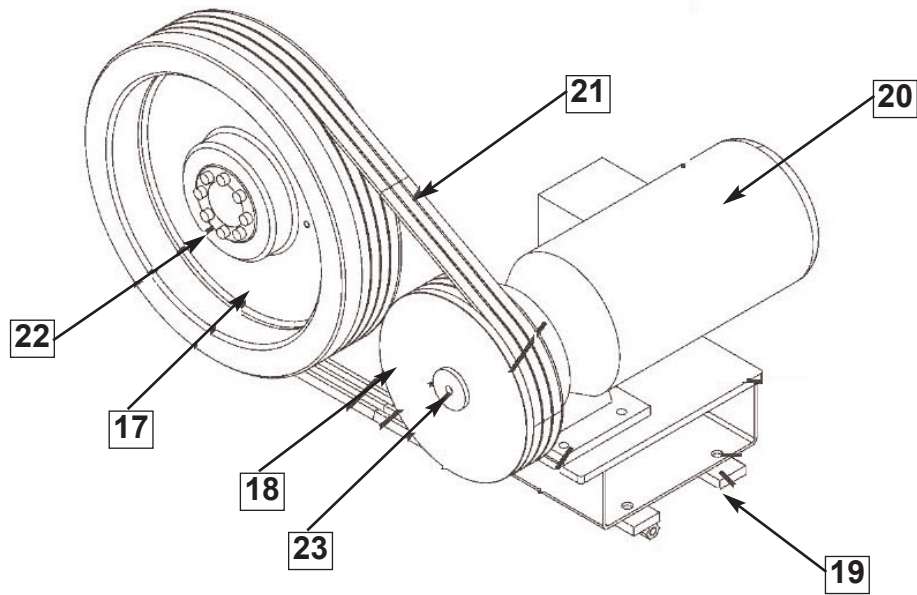
**CLS Series
Knives**

- 12. Rotor Knife
- 13. Fixed Knife
- 14. Third Fixed Knife

**CLS Series
Safety**

- 15. Switch
- 16. Key, Switch Short
- 17. Key, Switch Long



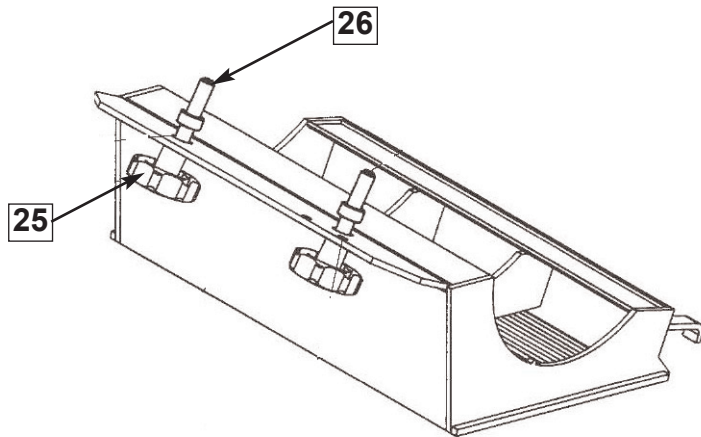
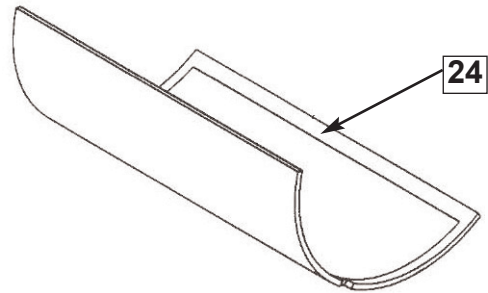


CLS Series
Transmission

- 18. Rotor Pulley
- 19. Motor Pulley
- 20. Belt Tensioner
- 21. Motor
- 22. V-Belt
- 23. Bushing
- 24. Sealing Ring

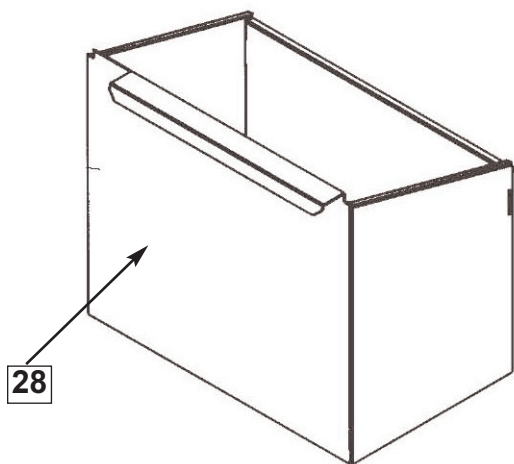
**CLS Series
Screen**

25. Screen



**CLS Series
Screen Box**

26. Star Knob
27. Locking Bolt

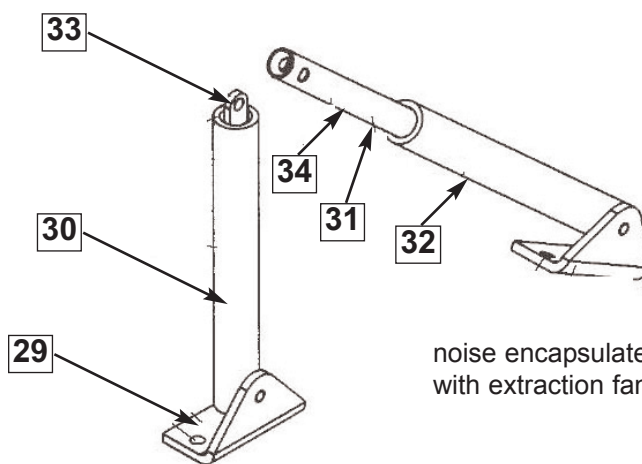


CLS Series
Granule Bin Manual
(optional)

28. Manual Bin

CLS Series
Hopper Device

- 29. Bracket
- 30. Guide
- 31. Guide
- 32. Guide
- 33. Gas Spring
- 34. Hole Plug



noise encapsulated machine
with extraction fan