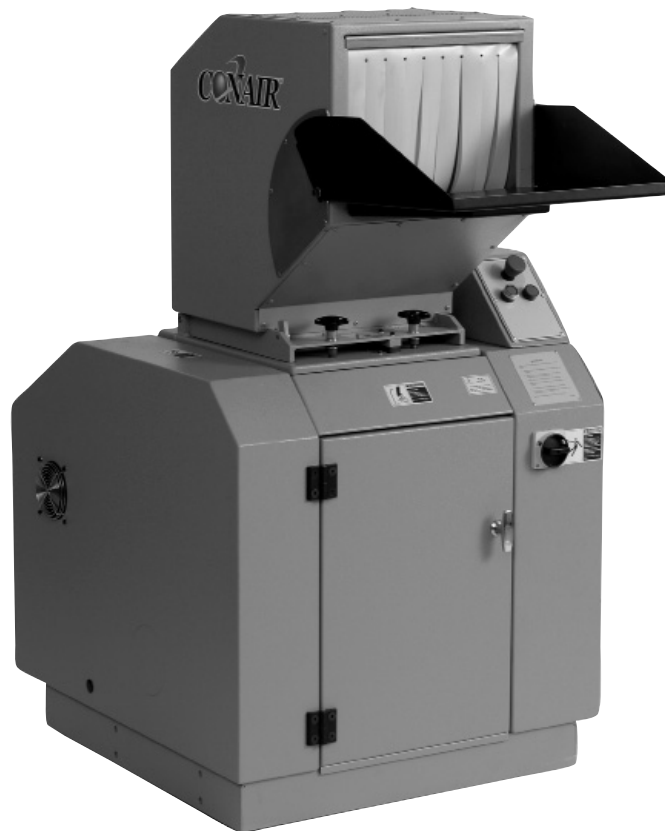
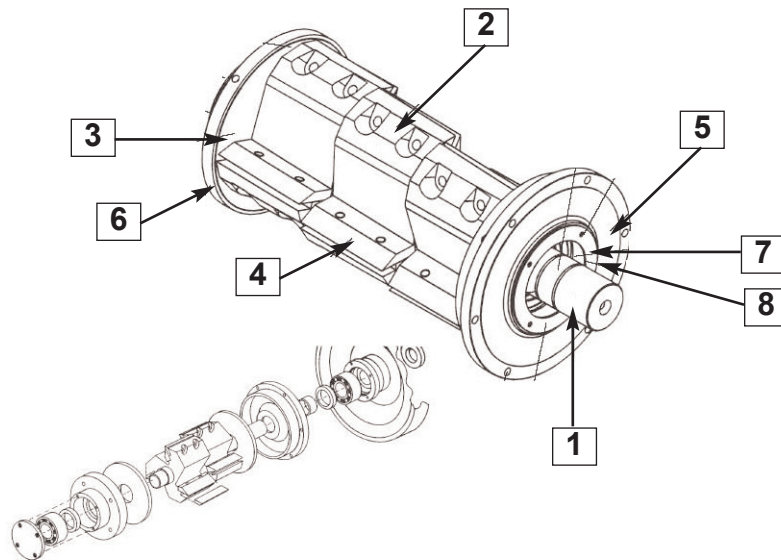


Parts Identification Guide  
PIG004/0106

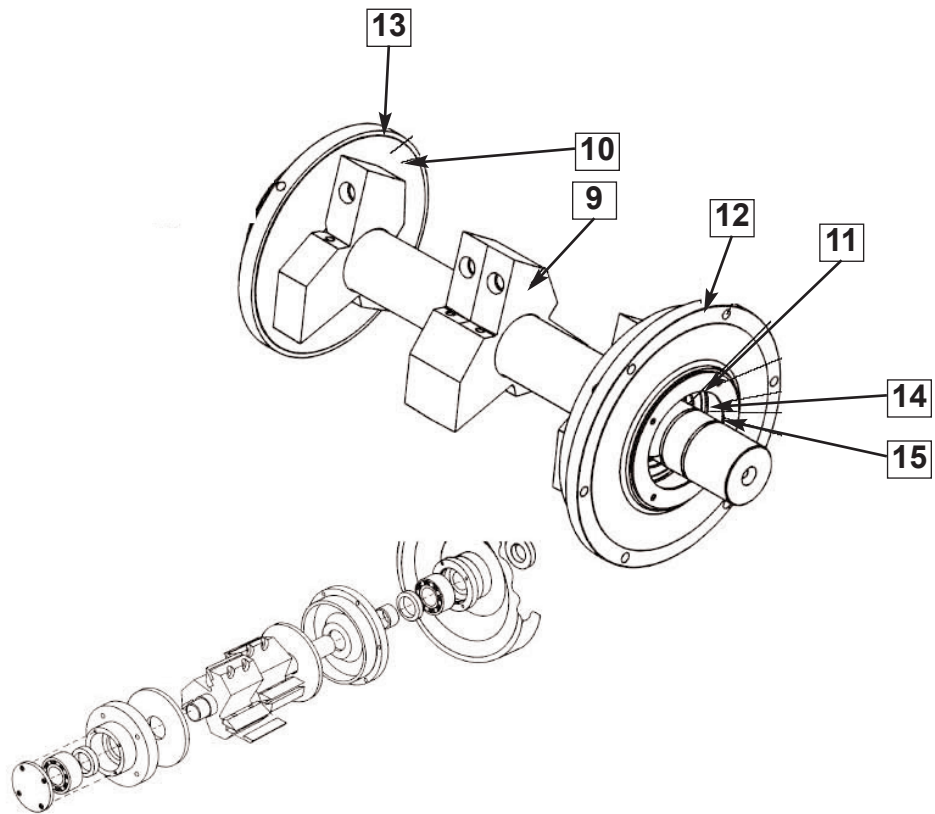
# CHS Series Granulators





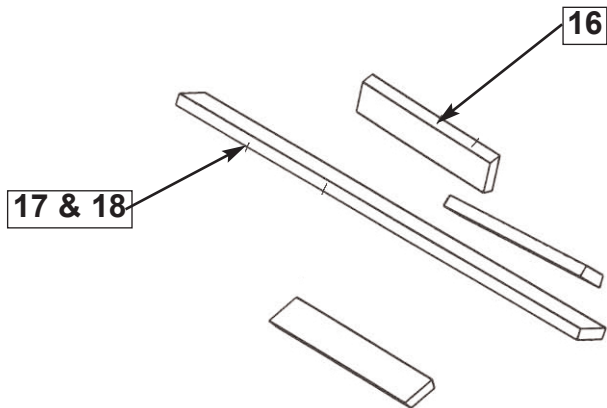
**CHS Series**  
**Staggered Rotor**

1. Rotor Shaft
2. Segments
3. End Disc
4. Support Rule
5. Housing Bearing Right
6. Housing Bearing Left
7. Bearing
8. Sealing Ring



**CHS Series**  
Open Rotor

- 9. Rotor Shaft
- 10. End Disc
- 11. Sleeve
- 12. Housing, Bearing Right
- 13. Housing, Bearing Left
- 14. Bearing
- 15. Sealing Ring



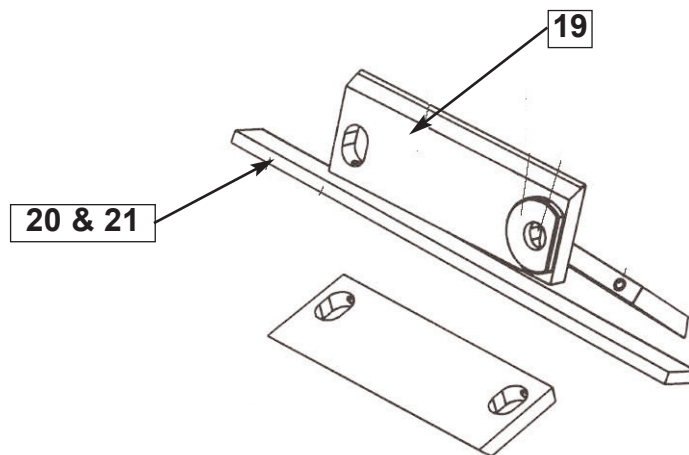
**CHS Series  
Knives**

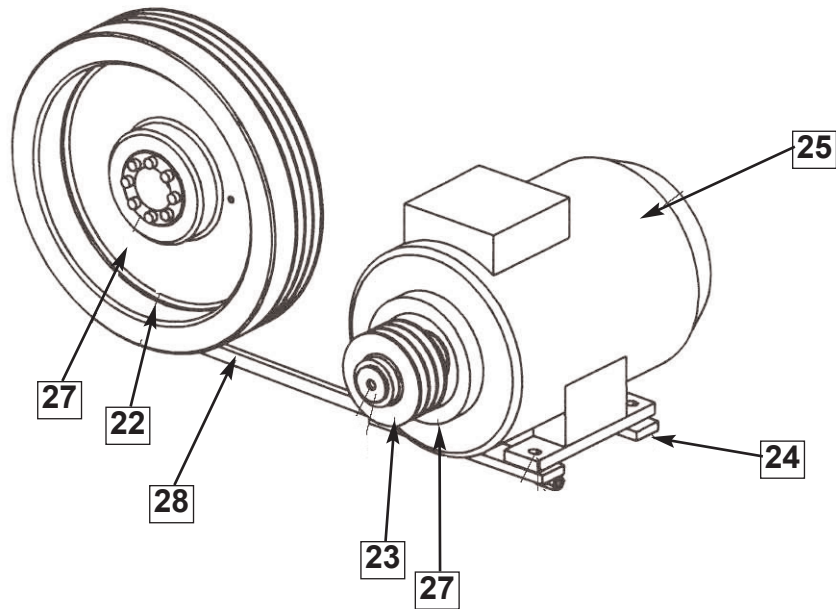
- 16. Rotor Knives
- 17. Fixed Knives
- 18. Third Fixed Knives

---

**CHS Series  
Knives, Open Cutter**

- 19. Rotor Knife
- 20. Fixed Knives
- 21. Third Fixed Knives



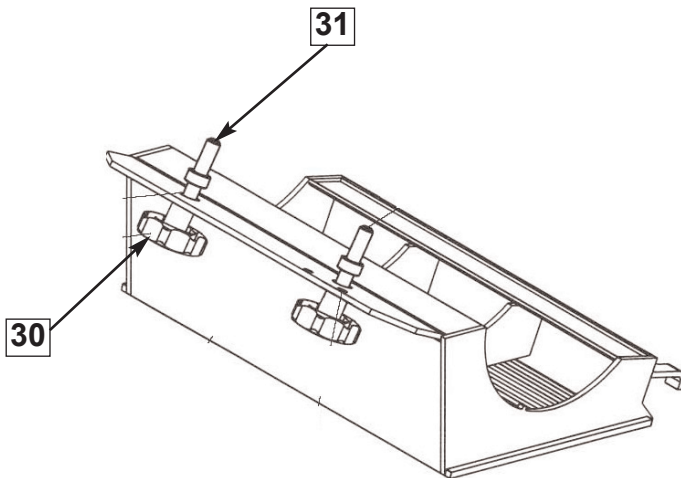
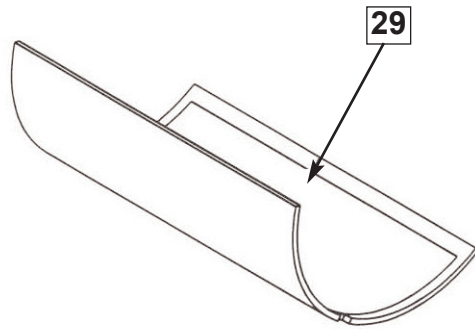


**CHS Series**  
Transmission

- 22. Rotor Pulley
- 23. Motor Pulley
- 24. Belt Tensioner
- 25. Motor
- 26. Bushing
- 27. Ring, Motor Seal
- 28. V Belt

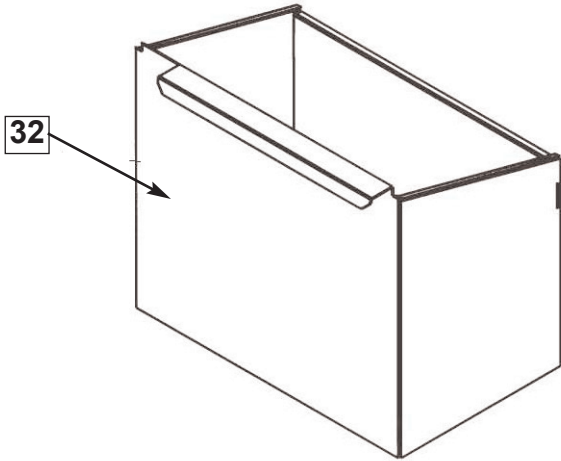
**CHS Series**  
Screen

29. Screen



**CHS Series**  
Screen Box

30. Star Knob  
31. Locking Bolt

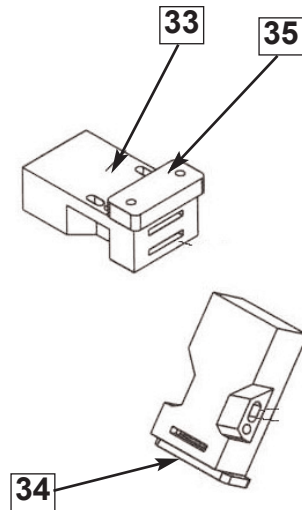


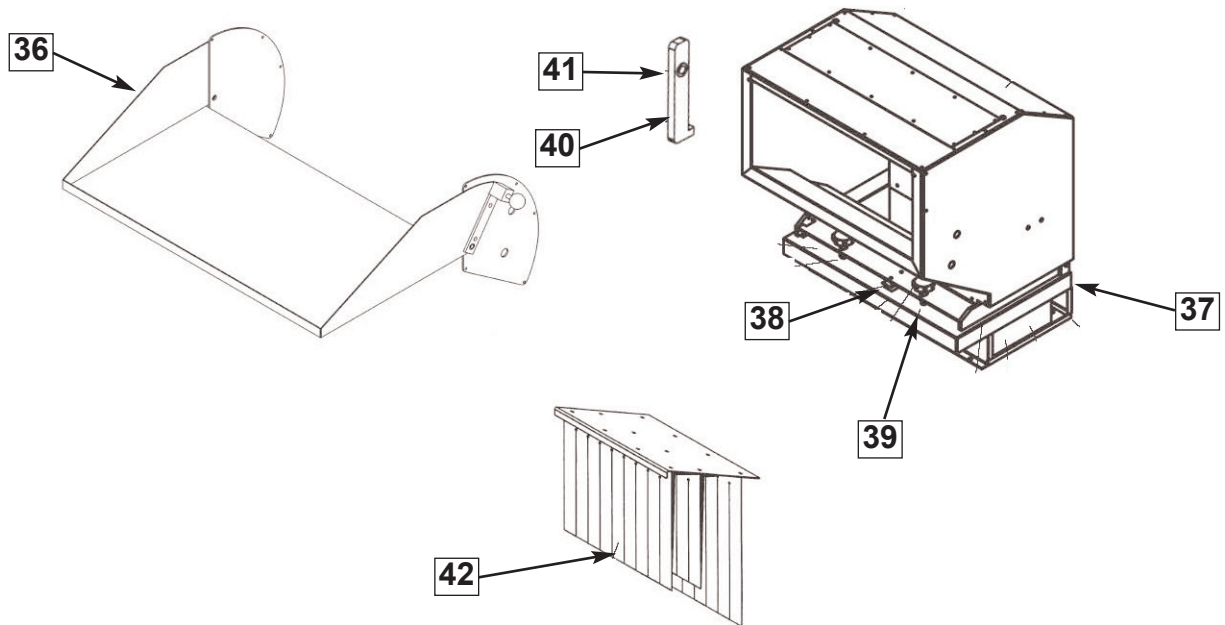
**CHS Series**  
Granule Bin Manual  
(Optional)

32. Manual Bin

**CHS Series**  
Safety

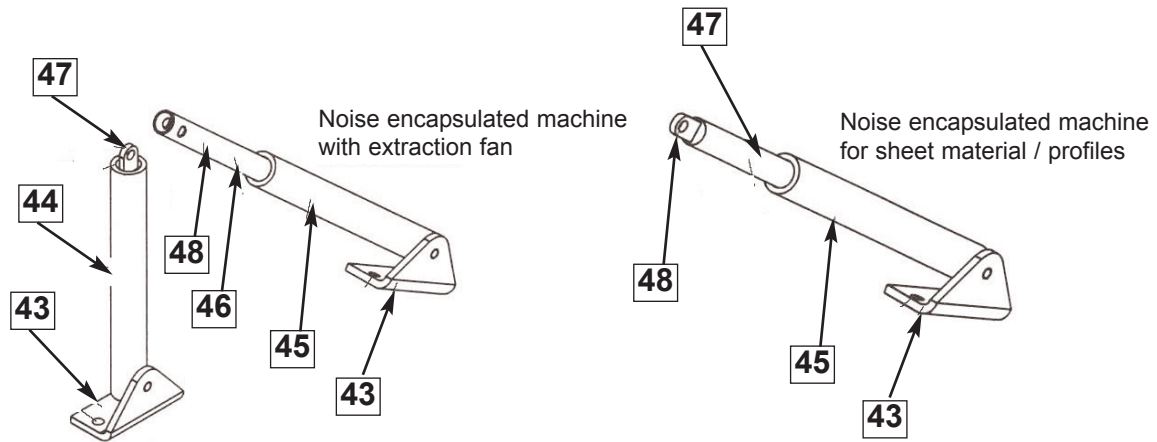
- 33. Switch
- 34. Key
- 35. Key





**CHS Series**  
Hopper

- 36. Hopper Front
- 37. Shaft
- 38. Bracket Key
- 39. Star Knob
- 40. Double Stop
- 41. Sleeve, Stop
- 42. Flaps



**CHS Series**  
Hopper Device

- 43. Bracket
- 44. Sleeve
- 45. Sleeve
- 46. Sleeve
- 47. Gas Spring
- 48. Sealing End