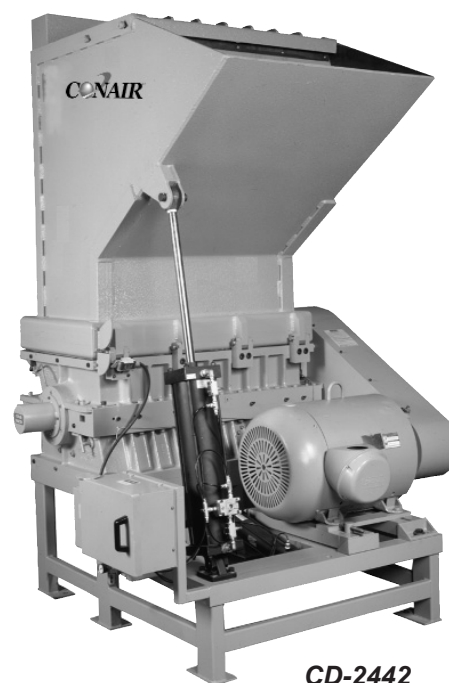
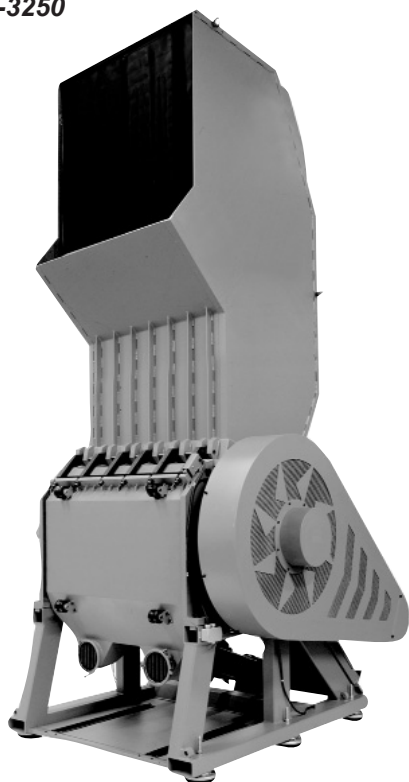
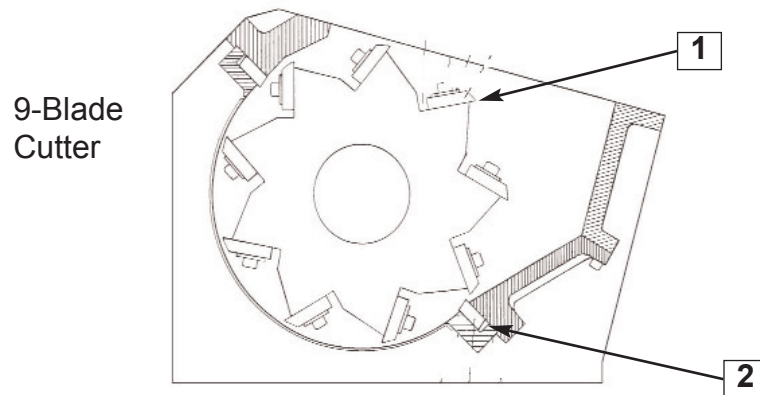
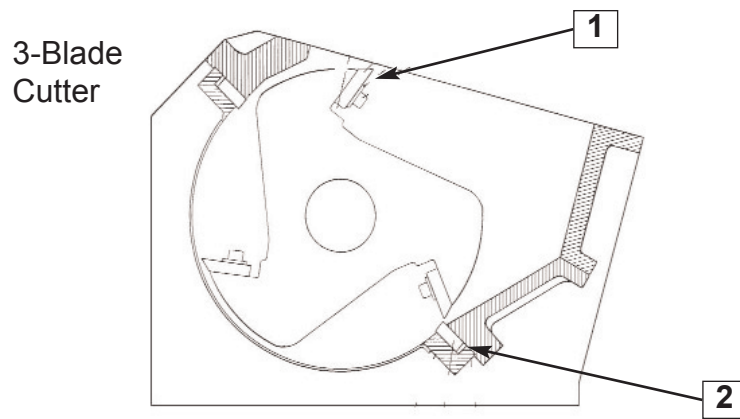


Parts Identification Guide  
PIG002/0106

# CD / CHD Series Granulators

**CD-3250**

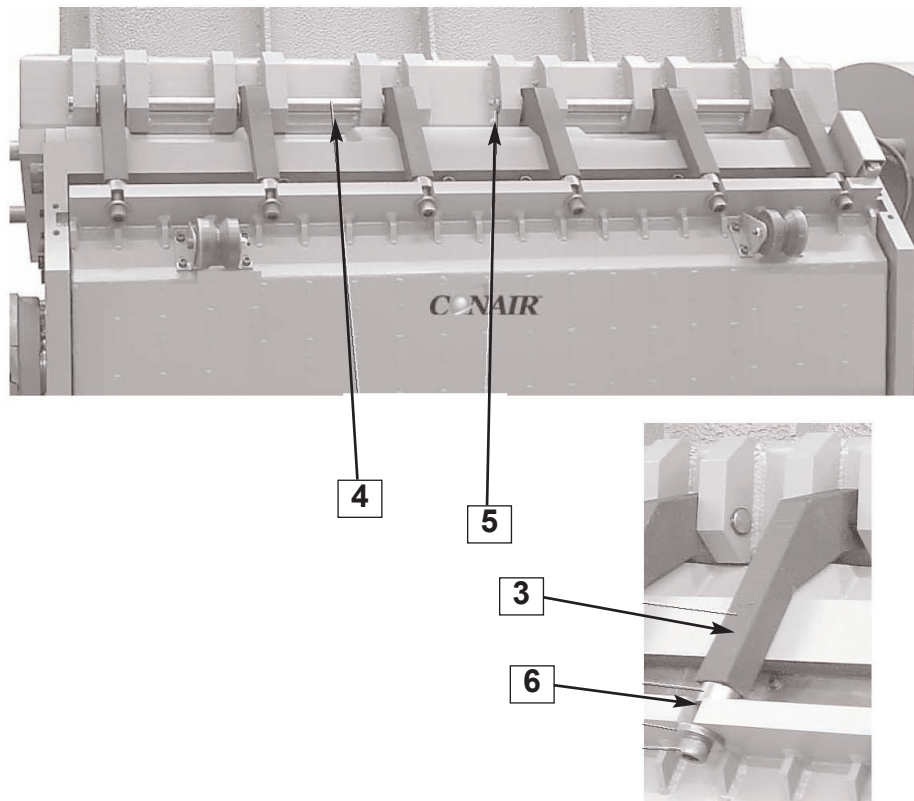




**CD - CDH**

Knives, 3-blade Cutter and 9-blade cutter

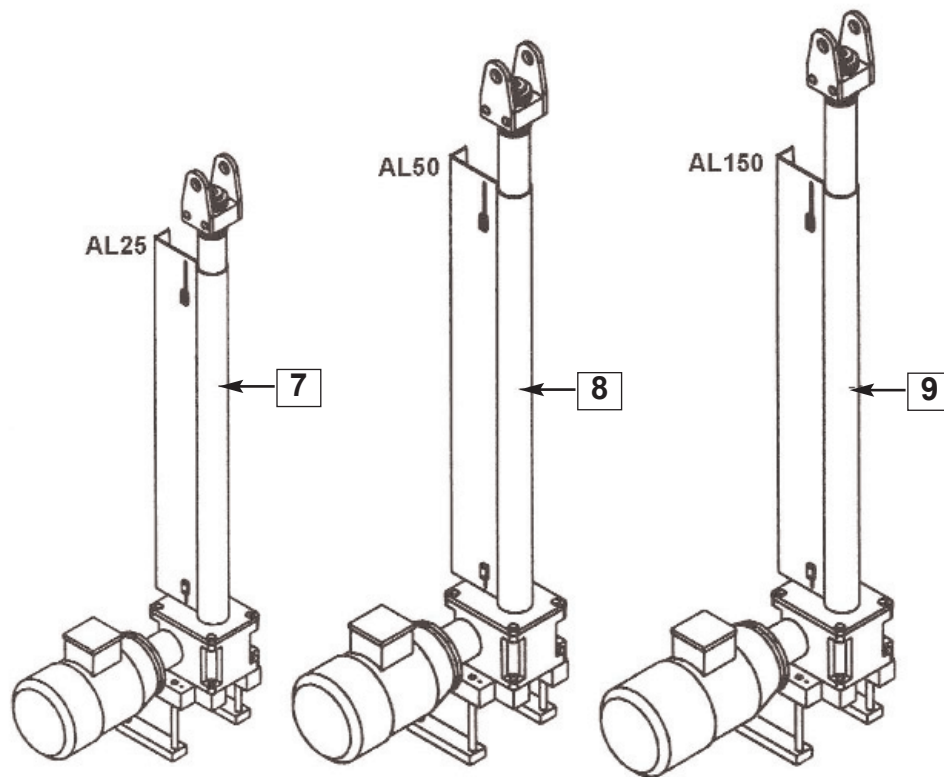
- 1. Rotor Knife
- 2. Fixed Knife



**CD - CDH**

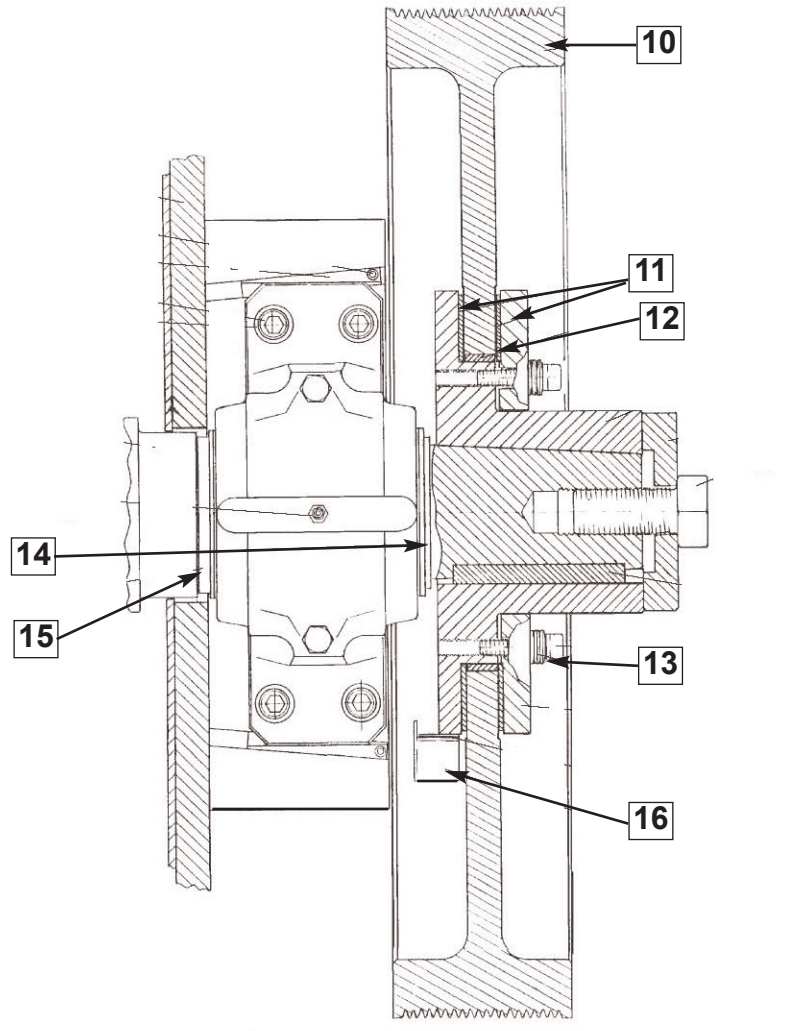
Locking arms, Screen Box, Hopper

- 3. Locking Arm
- 4. Locking Arm Shaft
- 5. Retaining Ring
- 6. Spacer



**CD - CDH**  
Screw jacks, Screen box & Hopper

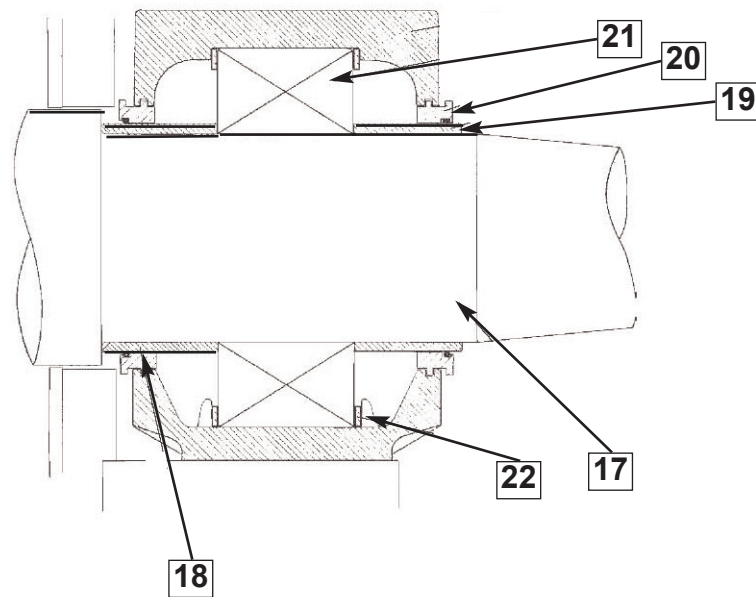
- 7. Screw Jack for Screen Box
- 8. Screw Jack for Hopper
- 9. Screw Jack for Extra Heavy Hopper



**CD - CDH**

Cutter Belt Wheel / Flywheel with Friction Clutch

- 10. Pulley
- 11. Friction Disc
- 12. Bushing
- 13. Disc Spring
- 14. Spacer Inner Sleeve
- 15. Space Outer Sleeve
- 16. Flag



**CD - CDH**  
Plummer Block

- 17. Rotor Shaft
- 18. Spacer Sleeve - Inner
- 19. Spacer Sleeve - Outer
- 20. Labrinth Ring
- 21. Bearing
- 22. Guide Ring