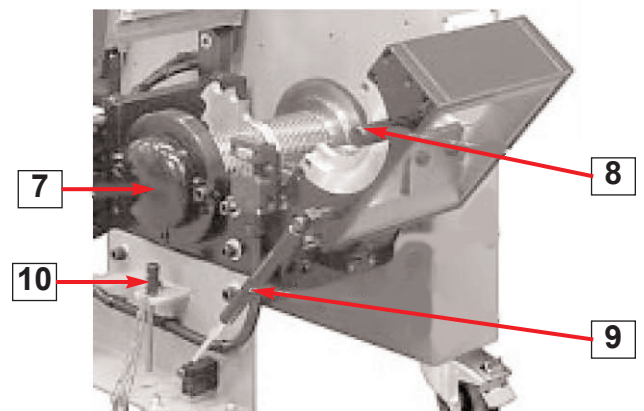
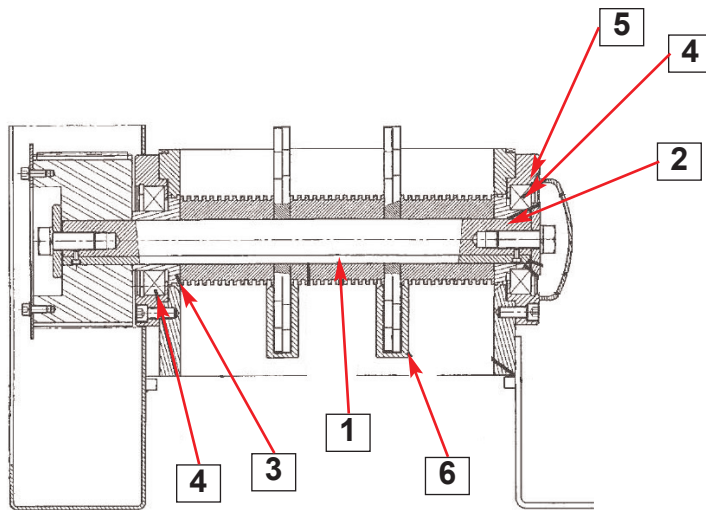


Parts Identification Guide
PIG007/0206

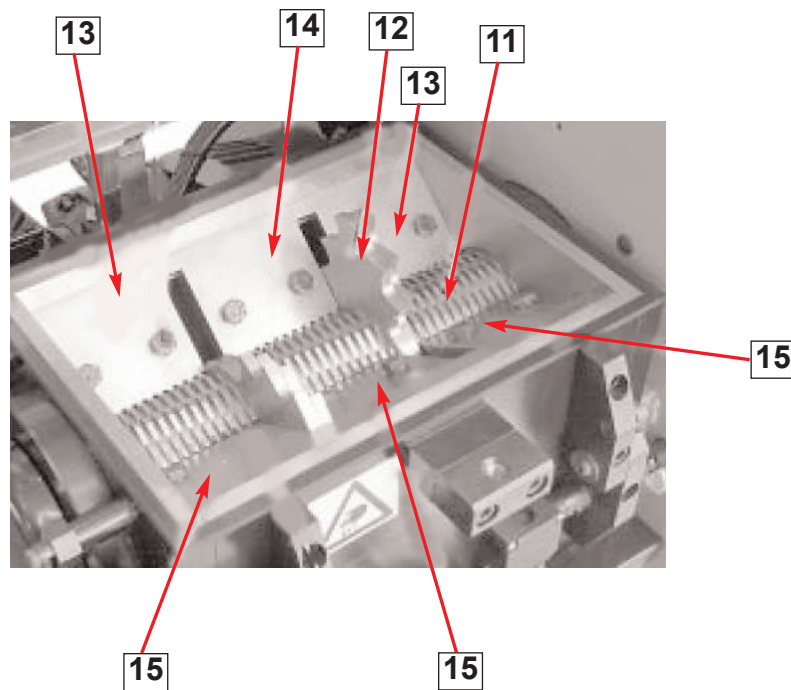
CM Series Granulators





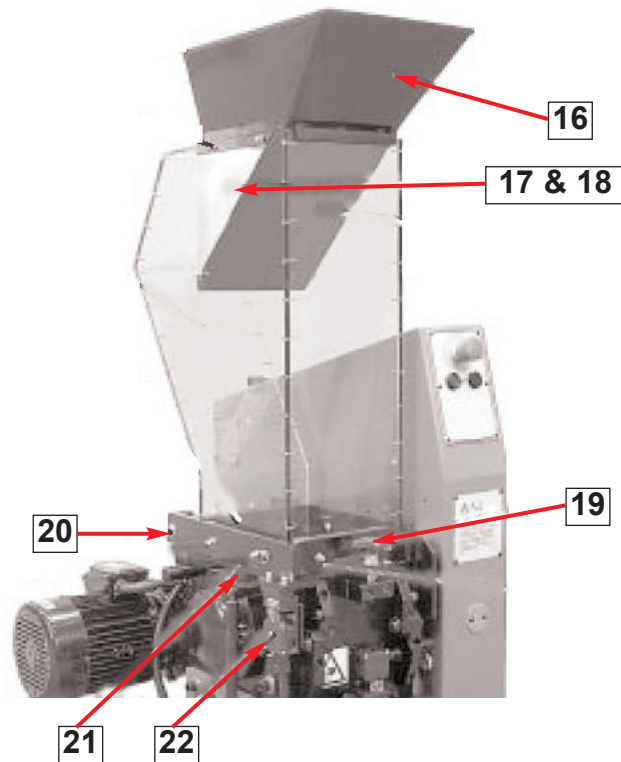
CM Series Granulators Cutter Housing

1. Cutter Shaft 0.75 kW
2. Flange, Free Wheeling Side
3. Flange, Driving Side
4. Ball bearing
5. Locking Ring
6. Guide, Rotating Feed Hook
7. Cover
8. Handle
9. Gas Spring
10. Tool with Chain, Cutter



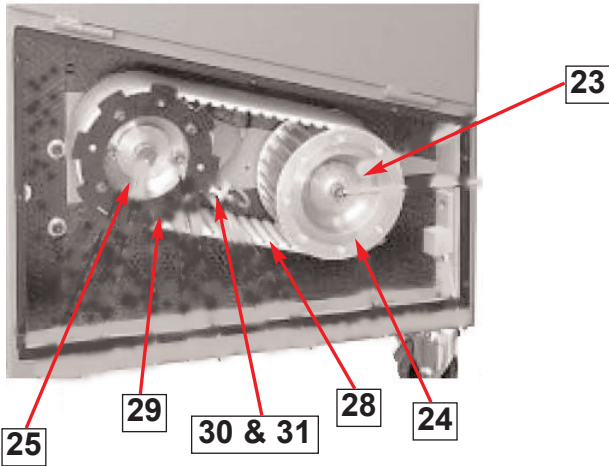
CM Series Granulators
Fixed Knives and Cutting Parts

- 11. Rotating Segment
- 12. Rotating Feed Hook
- 13. Fixed Knife, Side
- 14. Fixed Knife, Center
- 15. Scraper, Rotating Segment



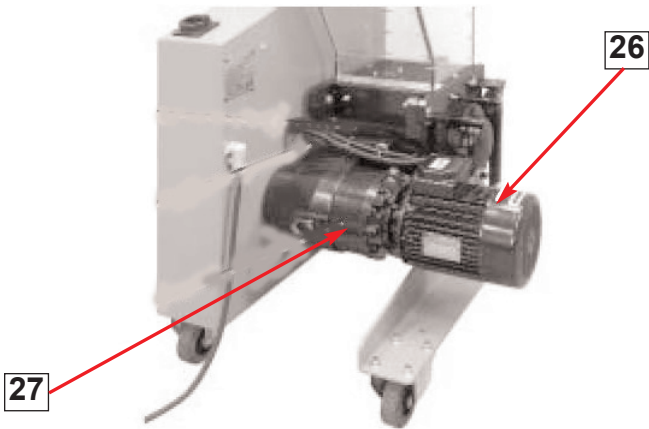
CM Series Granulators
Hopper, Flaps, Feed Components

- 16. Hopper Funnel 1010
- 17. Flap
- 18. Holder, Flap, Hopper
- 19. Star Knob
- 20. Shaft Hopper
- 21. Sealing, Hopper/Cutter Housing
- 22. Safety Switch with Mounting Kit Complete



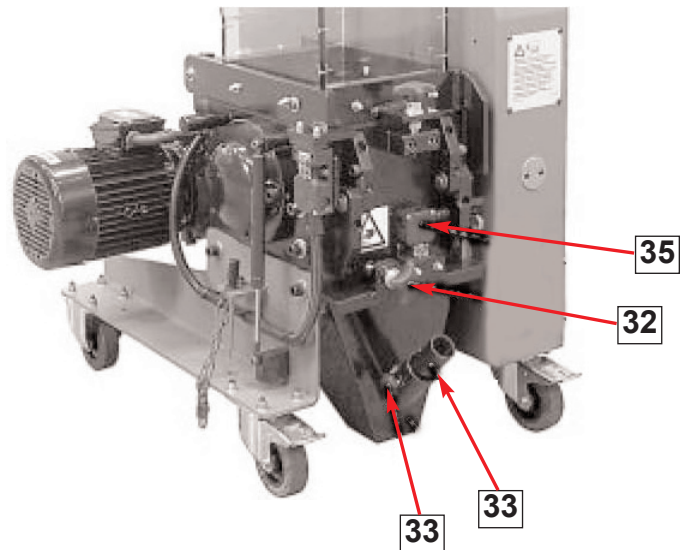
CM Series Granulators
Transmission

- 23. Motor Pulley 0.75 kW
- 24. Support Ring, Motor Pulley 0.75 kW
- 25. Cutter Puller 0.75 kW
- 26. Motor 0.75 kW
- 27. Reduction Gear
- 28. Drive Belt
- 29. Indication Ring
- 30. Sensor
- 31. Relay, Automatic Reversing System



CM Series Granulators
Granule Bin

- 32. Star Knob, Locking Granule Bin
- 33. Suction Pipe
- 34. Star Knob, Suction Pipe
- 35. Safety Seitch with Mounting Kit, Complete





**CM Series Granulators
Stand**

- 36. Wheel, Turnable with Brake
- 37. Wheel, Fixed

**CM Series Granulators
Paddle Monitor**

- 38. Paddle Monitor
- 39. Adapter
- 40. Warning Lamp 24V
- 41. Siren

