

Consistent, Reliable, Time-Tested Conveying

Positive Displacement Vacuum Pumps are designed for long distance, high-volume material conveying.*

Each model employs a powerful, rotating lobe-type blower, protected by a vacuum relief valve (factory-set to 12 inch Hg) and belt driven by a three-phase motor with magnetic starter and overload protection. An integral pump protection filter is included. All components are mounted on a rugged frame that houses an integral exhaust muffler. An optional sound enclosure may be added to reduce noise.



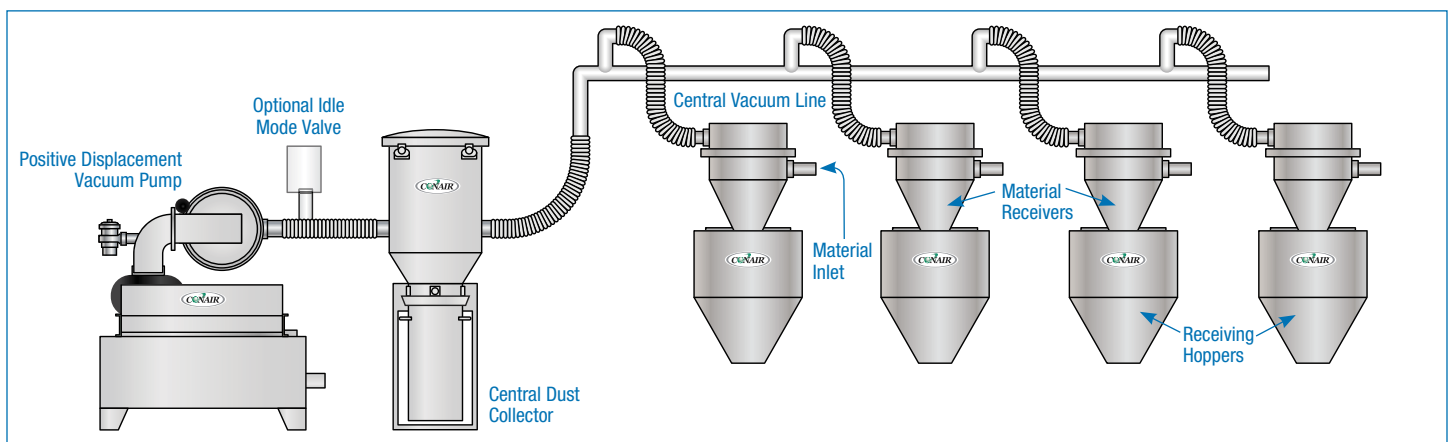
Model PD10 Pump
(Shown with optional idle mode valve.)

High-Performance Vacuum Conveying Power

Five models are provided for a complete range of vacuum power for your resin conveying application. When coupled with our extensive line of vacuum receivers, dust collectors and control systems, Conair's Positive Displacement Pumps will provide you with the longest, low-maintenance vacuum conveying performance in the industry.

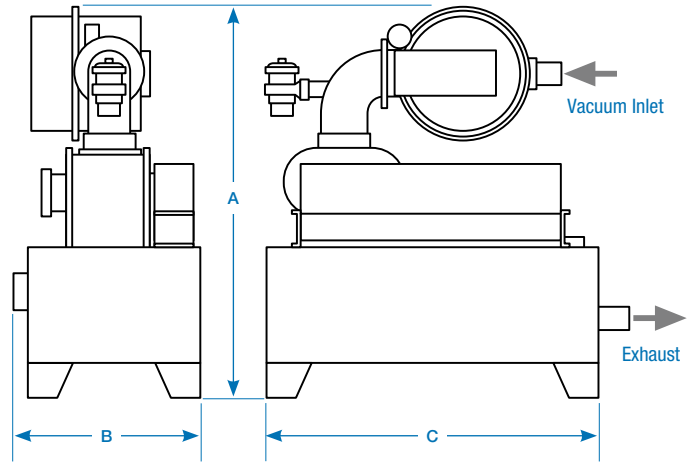
* Every vacuum conveying application should be assessed by Conair engineers to apply the appropriate equipment.

- ▶ **Rotating lobe vacuum blower**
The most powerful vacuum source available.
- ▶ **Pump protection filter included**
14 square foot filter protects the pump against damage from resin dust.
- ▶ **Easy maintenance**
All service components are within easy reach.
- ▶ **Ready to install**
Includes vibration pads, vacuum gauge, vacuum relief valve and magnetic starter.
- ▶ **Powerful and reliable**
Expect years of service with minimal attention.



Specifications

Model	PD5	PD7.5	PD10	PD15	PD25
Motor Type*	TEFC	TEFC	TEFC	TEFC	TEFC
Performance characteristics					
Horsepower	5	7.5	10	15	25
Standard CFM at Material Pickup Point @ 10" Hg	76.6	121.2	154.5	201.1	346.2
Average Sound Level (dbA) @ 8", 10" and 12" Hg	86.3	86	85.8	88.8	93
Dimensions inches {mm}					
Standard Inlet Size (OD)	1.75 {44}	2.25 {57}	2.5 {64}	3.0 {76}	4.0 {102}
Exhaust Line Size (OD)	2.5 {64}	2.5 {64}	4.0 {102}	4.0 {102}	4.0 {102}
A - Height	37 {940}	41 {1041}	51 {1295}	51 {1295}	52 {1321}
B - Width	27 {686}	27 {686}	33 {838}	33 {838}	34 {864}
C - Depth	35 {889}	35 {889}	39.5 {1003}	39.5 {1003}	39.5 {1003}
Weight lb {kg}					
Installed	325 {147}	370 {168}	625 {283}	640 {290}	960 {435}
Voltage Full load amps					
240	12.0	18.8	28.0	39.0	59.0
480	6.0	9.4	14.0	19.5	29.5
575	4.8	7.5	10.7	16.0	27.0
Compressed air					
Required for idle mode valve	0.2 FT ³ /min @ 80 psi max {0.09 liters/sec @ 5.5 bars} 1/4-inch hose fitting				

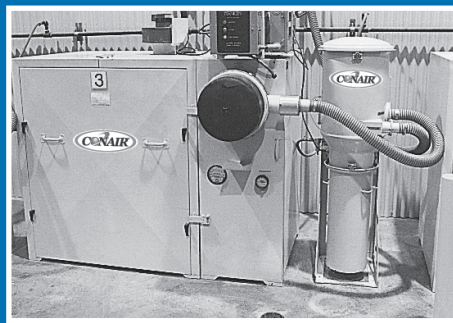


* Energy-saving, high efficiency motors are also available.

Optional Sound Enclosures



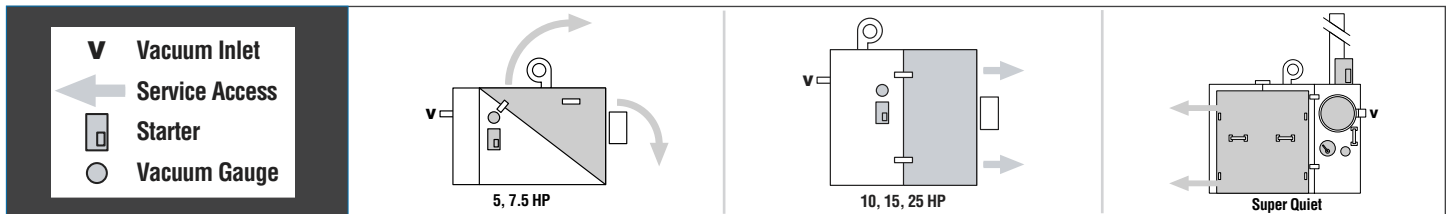
5 Hp pumps in sound enclosures



Super quiet sound enclosure (with Dust Collector)

Positive Displacement Pumps provide the strongest vacuum power available, but when operated for long periods at high performance levels, noise should be abated if the pump is located near personnel. Sound Enclosures are available for all pump models and provide maximum noise control with minimal space and easy access to pump maintenance areas.

Super Quiet Sound Enclosures include externally mounted protection filter, vacuum gauge and filter gauge; 8 ft exhaust stack (for noise); and easy access, tool-free front door.



Specifications for Pumps with Sound Enclosures

Model	PD5	PD7.5	PD10	PD15	PD25	Super (PD10 - PD25)
Performance characteristics						
Enclosure Construction	Painted Steel		Natural Aluminum			Painted Steel
Average Sound Level (dbA) @ 8", 10" and 12" Hg	69.8	76.2	79.3	86.0	90.0	Under 60 dbA
Allowance Space for Service Access / inches	48 (Opposite Vacuum Inlet)		36 (Opposite Vacuum Inlet)			36 (Front, Next to Filter)
Dimensions inches {mm}						
A - Height	49 {1245}		64 {1626}			96 {2438}
B - Width	54 {1372}		55 {1397}			70 {1778}
C - Depth	32 {813}		36 {914}			50 {1270}

Specification Notes

Specifications not listed in this table are the same as those listed above.

All Sound Enclosures include a cooling fan 115 VAC @ 2 amps.

220 VAC sound enclosure cooling fan is an option. Consult Conair for more info.

Specifications may change without notice. Consult with a Conair representative for the most current information.

