

Versatile Loading For Mid to Large Throughput

Pellets, virgin-regrind mixes, dusty/problem materials, coarse powders — Conair FilterLess Vacuum Receivers can handle the job.

The FilterLess vacuum has the ability to convey dusty materials and free-flowing powder larger than 100 microns in diameter. Each FilterLess receiver has a patented “filterless insert” that uses continuous reversal of vacuum air to separate incoming material from conveying air without filters or screens. The process provides dramatic air/material separation without relying on filtration.



Model FL-10 Direct Feed
with UTB



Model FL-20 Hopper Loading
with ELC control

No Filter, No Screen, Twin-Cyclone Action

Twin cyclone action allows FilterLess Receivers to efficiently load materials without filter blinding or abrasion. The tangential material inlet provides smooth material entry, decreasing material fracturing and dust.

Available in both hopper loading and direct feed models, the FilterLess can supply hoppers and surge bins or feed directly to a processing machine throat.

Hopper loaders incorporate the demand level switch in the discharge valve. The positive discharge option provides an air driven discharge valve with a rotary demand switch.

Direct feed configurations include a choice of glass hopper sizes, equipped with a capacitive demand sensor. An isolator valve option may be included when an airtight seal at the base of the loader cannot be assured. The isolator valve may also provide demand sensing.



Fill sensors are provided to terminate the fill cycle and can also provide a “no material” alarm output.

▶ Choice of discharge

Gravity discharge with integral demand switch; air-driven positive discharge with a rotating level sensor or a direct feed glass hopper with level sensor.

▶ Thick-wall, steel construction

Cyclone receivers are precision-engineered, in carbon steel or stainless steel.

▶ Built-in vacuum sequencing valve

No need for extra wiring or plumbing.

▶ Optional high wear kit

▶ Choice of control

The Universal Terminal Box (UTB) is mounted on your receiver. The UTB works with FLX-128 or FLX-128 Plus. The optional ELC control is a stand-alone loading control based on a receiver integrated CAN open network.



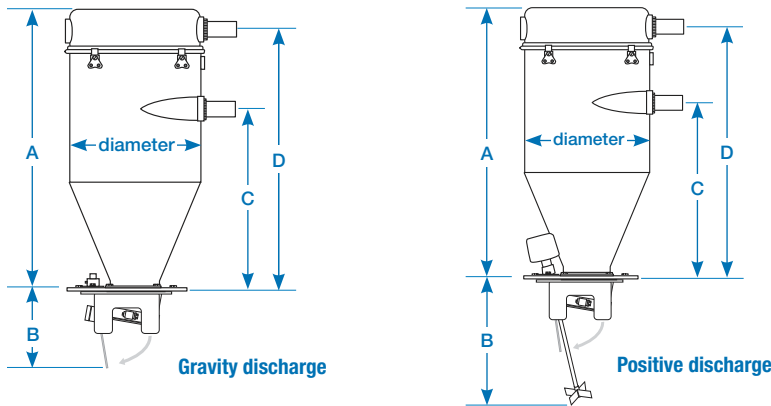
▶ Simple, no-tools clean out

Material changes are fast and easy with quick-release latches on the receiver lid, and the drop-in filterless insert. No filters, no screens.

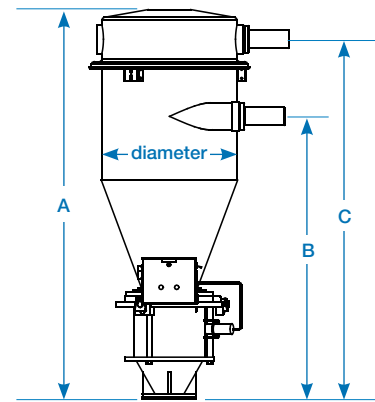


Specifications

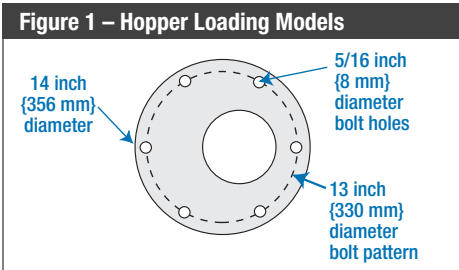
Hopper loading



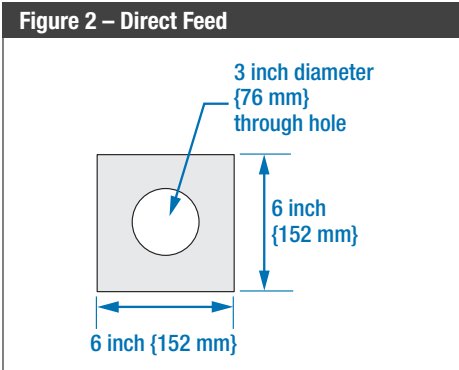
Direct feed



FL Series Vacuum Receivers				
Receiver model	FL10	FL15	FL20	FL24
Receiver diameter inches {mm}	10 {254}	15 {381}	20 {508}	24 {610}
Receiver volume ft ³ {liters}	0.28 {7.9}	1.0 {28.3}	2.3 {65.1}	4.0 {113.3}
Material/Vacuum line size range inches {mm}*	1.5-2 {38-51}	1.5-2.5 {38-64}	2.25-3 {57-76}	2.5-4 {64-102}
Receiver maximum temperature rating °F {°C}	180 {82}	180 {82}	180 {82}	180 {82}
with high-heat option °F {°C}	350 {177}	350 {177}	350 {177}	350 {177}
Available voltages (outputs)	120 VAC, 24 VAC and 24 VDC			
Compressed air NPT fitting	3/8 inch			



Hopper Loading Configuration				
Receiver model	FL10	FL15	FL20	FL24
Dimensions inches {mm}				
A - Height above mounting plate	20.5 {521}	32.75 {832}	45.25 {1150}	57.0 {1450}
B - Depth below mounting plate	8.375 {213}	8.375 {213}	9.5 {241}	9.5 {241}
with positive discharge	16.0 {406}	16.0 {406}	16.0 {406}	16.0 {406}
C - Height to center of material inlet	10.5 {267}	21.25 {540}	28.5 {724}	37.0 {940}
D - Height to center of vacuum outlet	19.25 {489}	30.5 {775}	42.5 {1080}	52.5 {1334}
Mounting details	See Figure 1			
Approximate weight lb {kg}				
Installed	40 {18}	58 {26}	92 {42}	126 {57}
Shipping	120 {54}	170 {77}	200 {91}	260 {118}



Direct Feed Configuration (glass hopper)						
Receiver model	FL10			FL15		
Viewing chamber model	4 lb	15 lb	25 lb	4 lb	15 lb	25 lb
Viewing chamber capacity lb {kg}†	4 {1.81}	15 {6.8}	25 {11.3}	4 {1.81}	15 {6.8}	25 {11.3}
with isolator valve†	3 {1.36}	11 {4.98}	21 {9.52}	3 {1.36}	11 {4.98}	21 {9.52}
Dimensions inches {mm}						
A - Height above mounting plate	32.3 {820.4}	37.8 {960.1}	49.8 {1265}	44.5 {1130}	50.0 {1270}	62.0 {1575}
B - Height to center of material inlet	20.9 {530.9}	28.3 {718.8}	40.3 {1024}	31.7 {805.2}	39.1 {993.1}	51.1 {1298}
C - Height to center of vacuum outlet	29.7 {754.4}	37.1 {942.3}	49.1 {1247}	40.9 {1038.9}	48.3 {1226.8}	60.3 {1532}
add for isolator valve	2.25 {57}					
Mounting details	See Figure 2					
Approximate weight lb {kg}						
Installed	40 {18}	55 {25}	113 {51}	58 {26}	85 {39}	143 {65}
Shipping	68 {31}	83 {38}	143 {65}	90 {41}	119 {54}	179 {81}

Specification Notes

* Outside diameter
 † At 35 lbs. per cubic ft.
 Specifications may change without notice. Consult with a Conair representative for the most current information.

