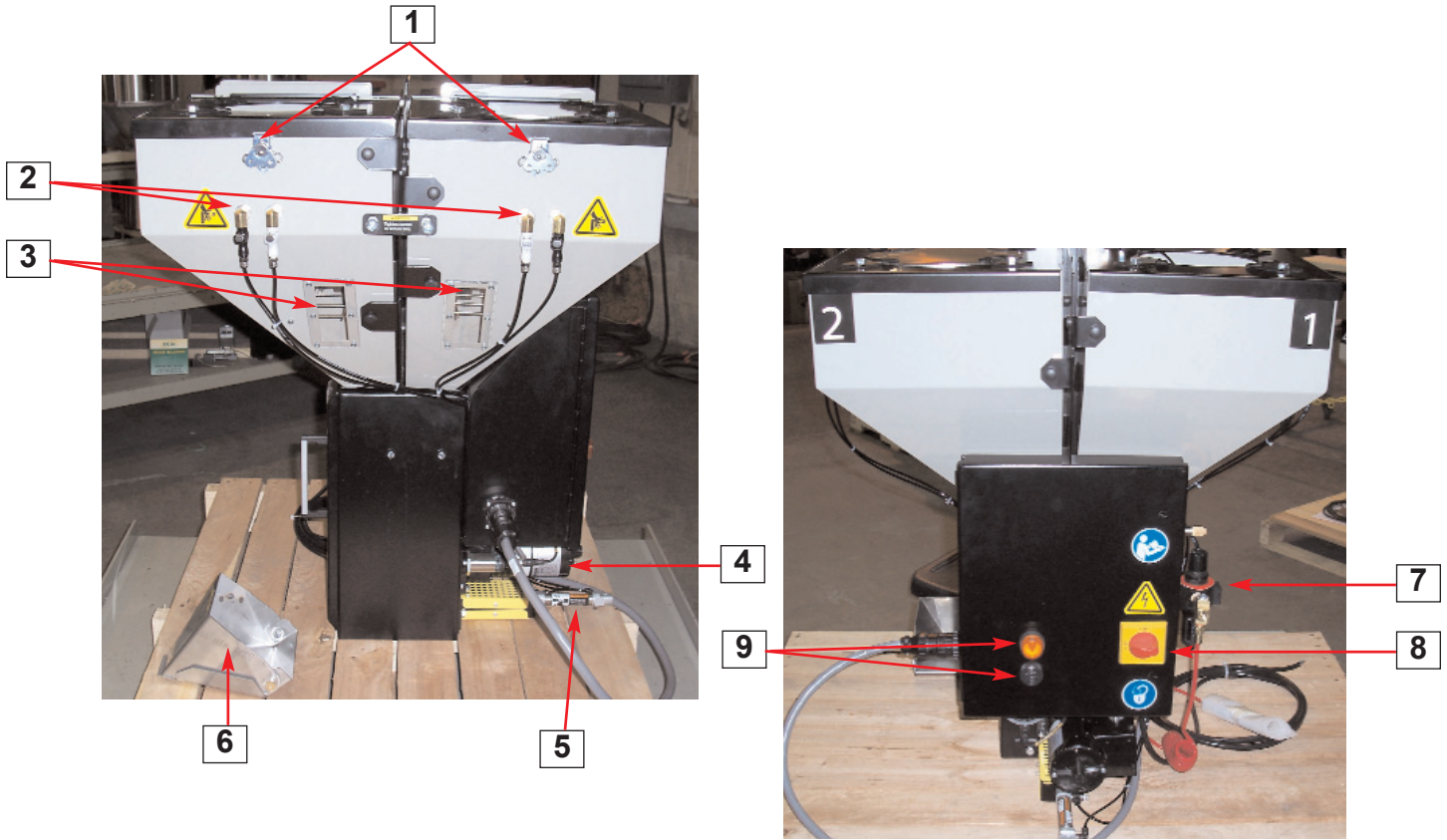


Parts Identification Guide  
PIB009/0406

# TrueBlend™

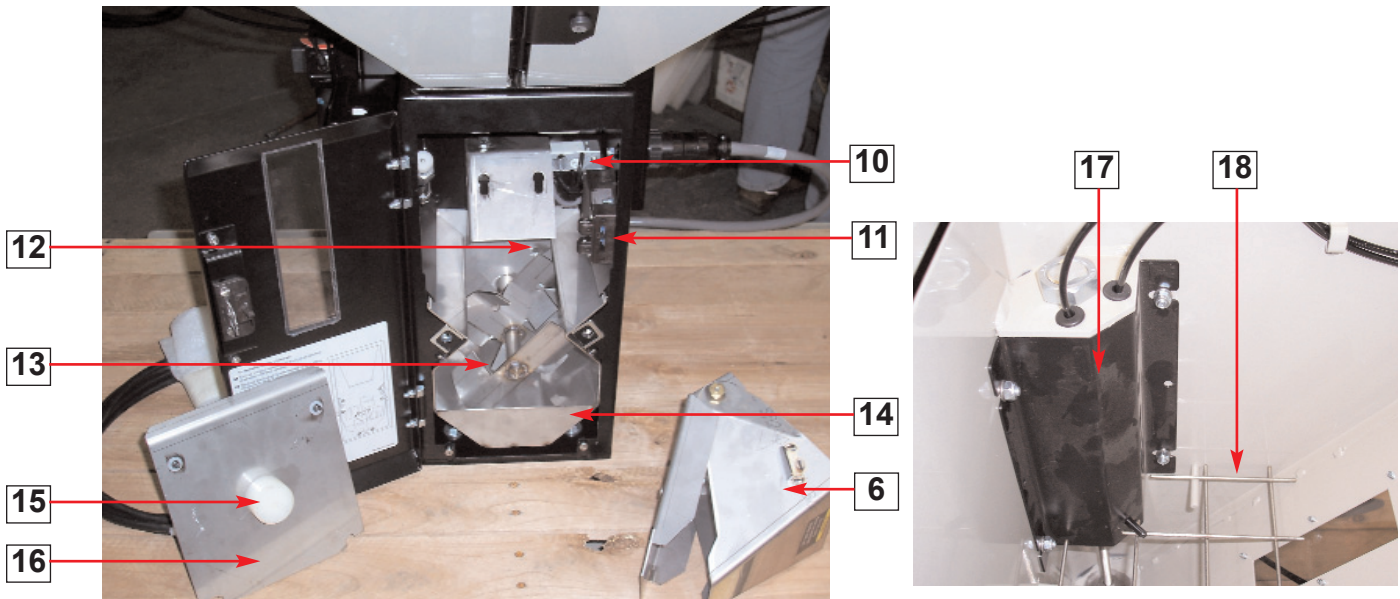
## Model TB45





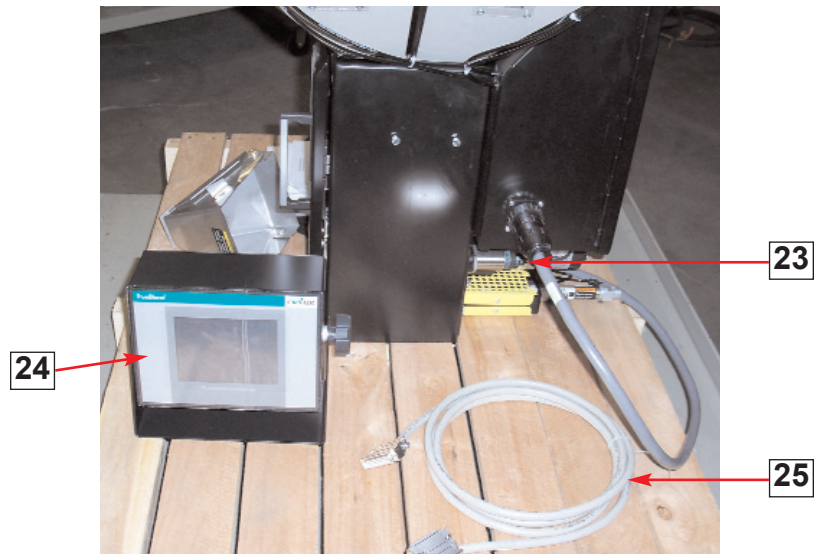
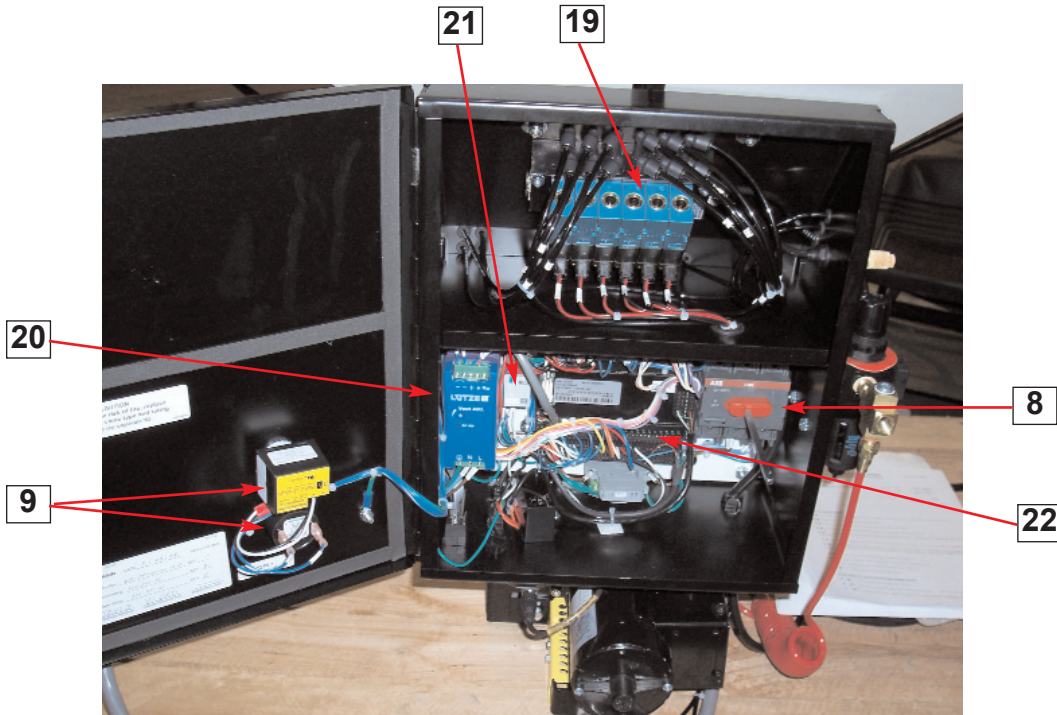
**TrueBlend  
Model TB45**

- 1. Locking Clamp
- 2. White & Black Quick Disconnects
- 3. Sight Glass
- 4. Mix Motor
- 5. Air Operated Slide Assembly
- 6. Weigh Bin
- 7. Air Filter Regulator
- 8. Disconnect Switch
- 9. Alarm Light & Horn



**TrueBlend  
Model TB45**

- 6. Weigh Bin
- 10. Load Cell
- 11. Safety Switch
- 12. Sensor
- 13. Mixing Agitator
- 14. Mixing Chamber Insert
- 15. Agitator Support Bearing
- 16. Front Cover Plate
- 17. Dosing Unit Assembly
- 18. Finger Guard



**TrueBlend  
Model TB45**

- 8. Disconnect Switch
- 9. Alarm Light & Horn
- 19. Solenoid Valve Assembly
- 20. Power Supply
- 21. Motor Relay
- 22. PLC Assembly
- 23. Sensor for Mix Chamber
- 24. Operator Control
- 25. Control Cable